



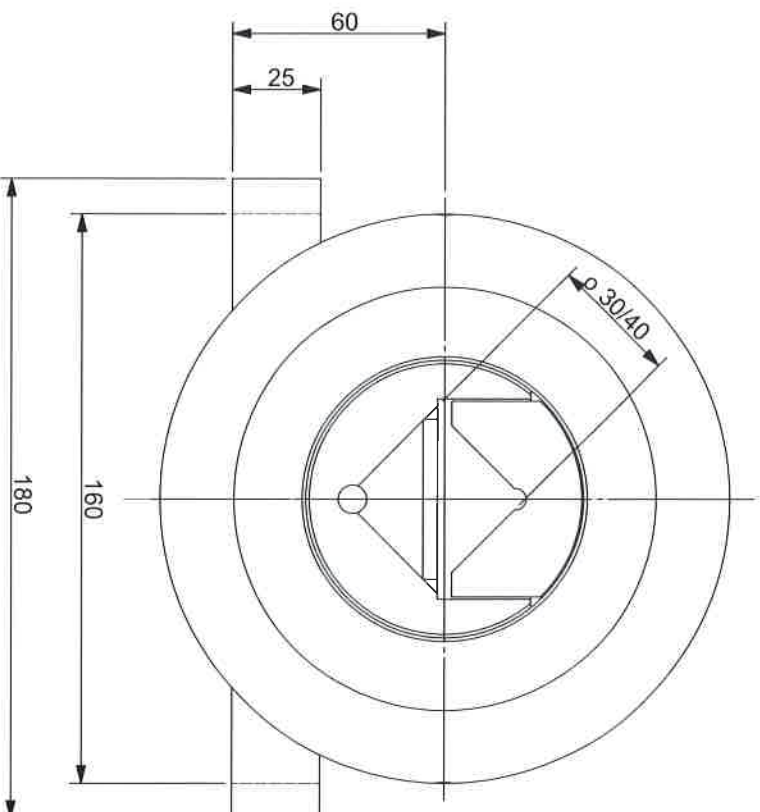
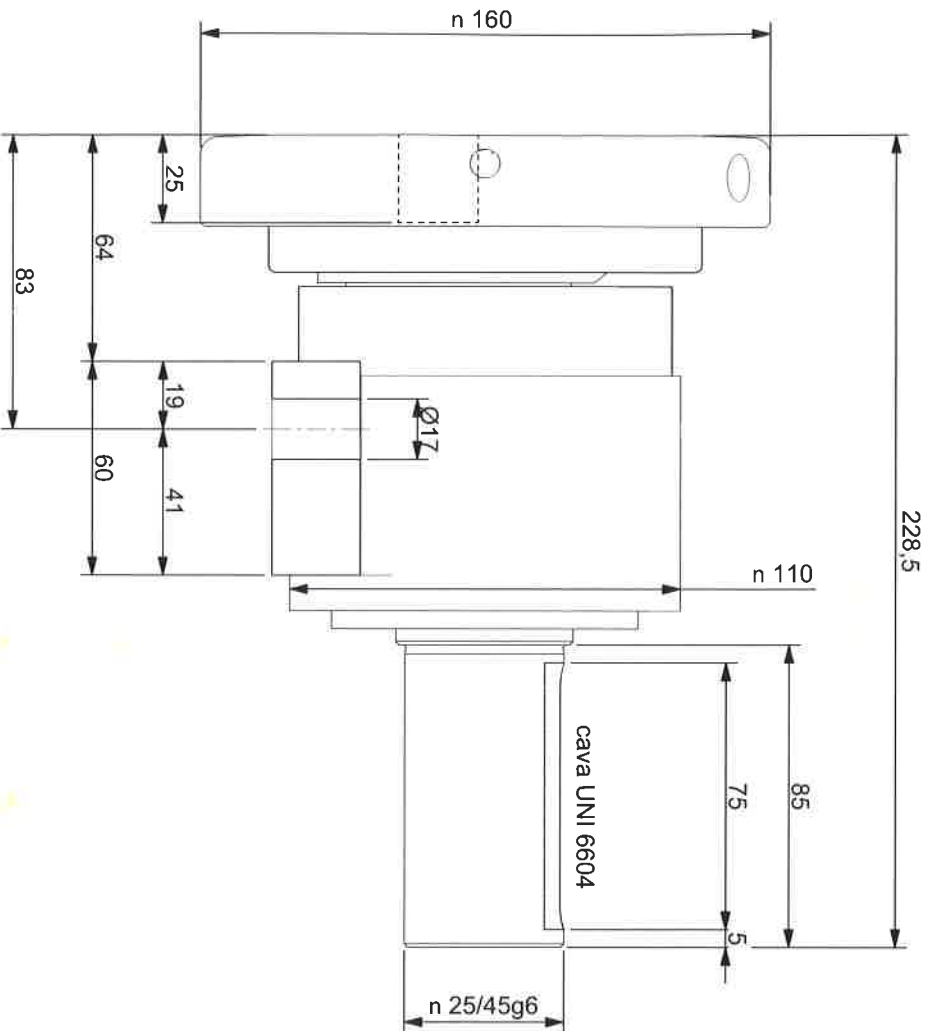
SVECOM P.E.

Web site: www.svecom.com

SUPPORTO SAFETY CHUCK

Tipo
Type **905 KLPP1/0**

con alberino
with shaft extension
senza alberino
without shaft extension



A richiesta - On request:

- Tipo Supporto
Safety Chuck Type
- Quadro
Square Socket
- Ø Alberino
Shaft diameter

Protezione in gomma standard - Rubber finger guards are standard

| | | | | |
|---|--|-------------------------------|---|--|
| Portata Max Coppia Supporti Capacity per Pair | Max Torsione Trasmissibile Max Torque Transmissible | Velocità Massima Max Speed | Quadri Standard Square Standard Socket | Ø Alberino Standard Standard Shaft Diameter |
| 7056 N | 940 N/M | 900 RPM | □ 30 - □ 50 | Ø 25 - Ø 45 |