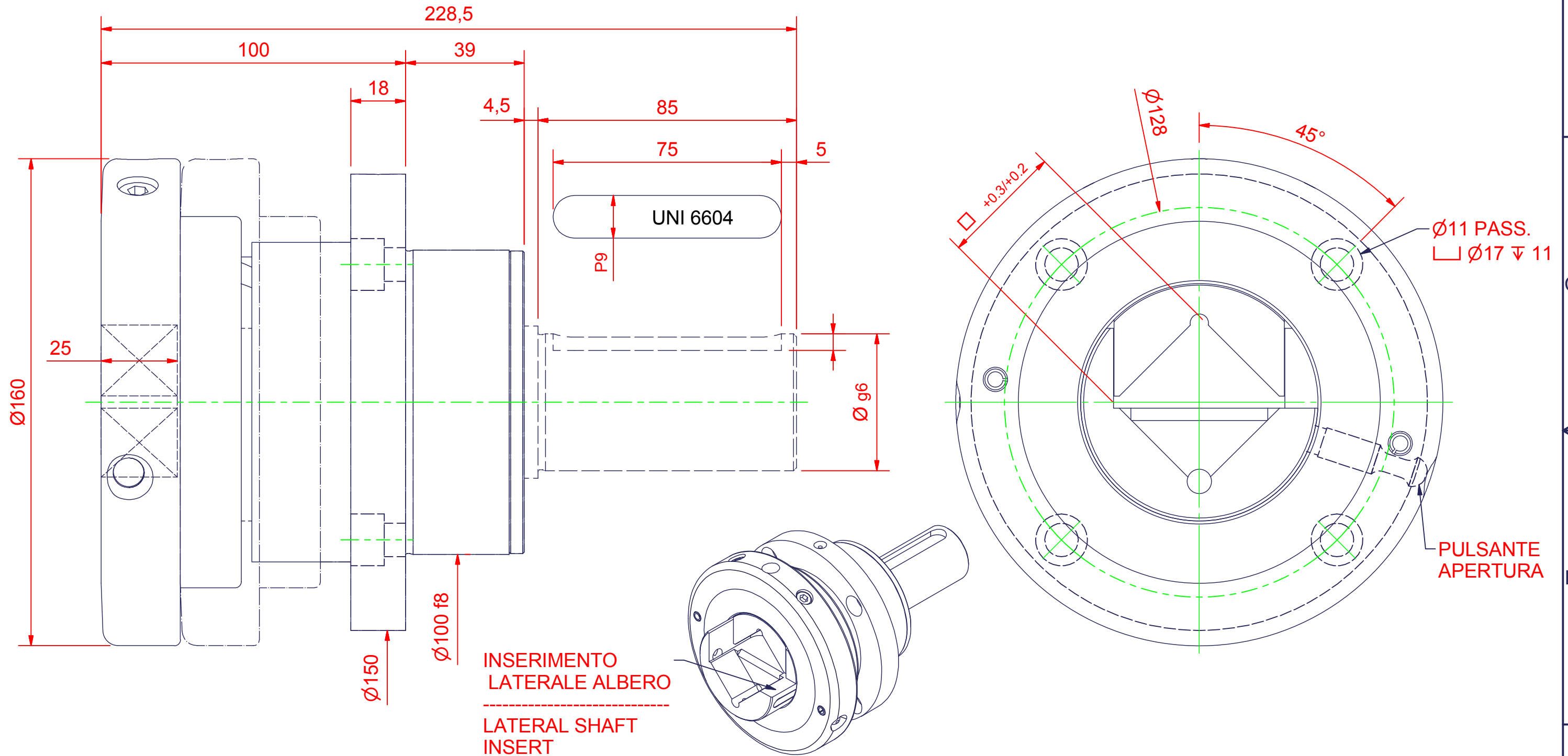


SUPPORTO SAFETY CHUCK

Tipo	905 KLPF1 S	con alberino with shaft extension
Type	905 KLPF0 S	senza alberino without shaft extension



A richiesta - *On request:*

- Tipo Supporto
Safety Chuck Type _____
- Quadro
Square Socket _____
- Ø Alberino
Shaft diameter _____

Protezione in gomma standard - *Rubber finger guard is standard*

Portata Max Coppia Supporti Capacity per Pair	Max Torsione Trasmissibile Max Torque Transmissible	Velocità Massima Max Speed	Quadri Standard Square Standard Socket	Ø Alberino Standard Standard Shaft Diameter
15000 N	940 Nm	900 RPM	□30 - □40	Ø25 - Ø45