

**SVECOM P.E.**

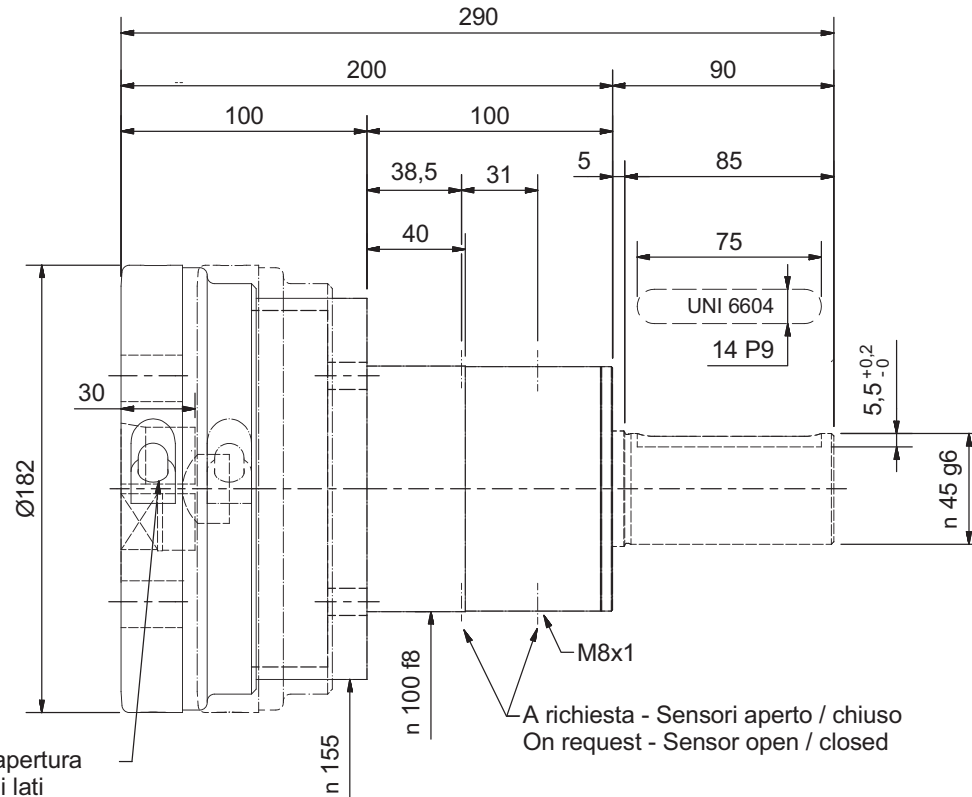
Expanding devices

**SUPPORTO AUTOCHIUDENTE  
SELF-CLOSING SAFETY CHUCK**

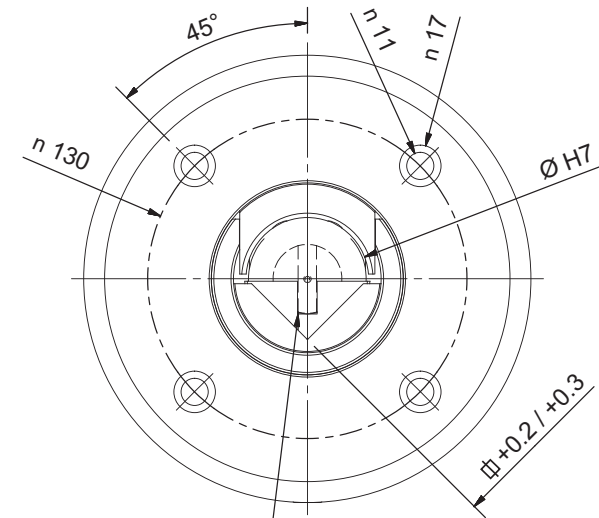
Tipo  
Type

**926 KLLF1**  
**926 KLLF0**

con alberino  
with shaft extension  
senza alberino  
without shaft extension



Pulsante di apertura  
da entrambi i lati  
Open button both sides



A richiesta - Perno di sicurezza  
On request - Safety pin

**A richiesta - On request:**

- Tipo Supporto  
Safety Chuck Type \_\_\_\_\_
- Quadro  
Square Socket \_\_\_\_\_
- Ø Alberino  
Shaft diameter \_\_\_\_\_

**Protezione in plastica standard - Plastic finger guard is standard**

Portata Max Coppia Supporti Capacity per Pair	Max Torsione Trasmissibile Max Torque Transmissible	Velocità Massima Max Speed	Quadri Standard Square Standard Socket	Ø Alberino Standard Standard Shaft Diameter
15600 N	1000 N/M	1200 RPM	$\varnothing 30$ - $\varnothing 42$ / $\varnothing 31.75$ - $\varnothing 44.45$ $\varnothing 35$ - $\varnothing 50$ / $\varnothing 38.1$ - $\varnothing 50.8$	Ø45