

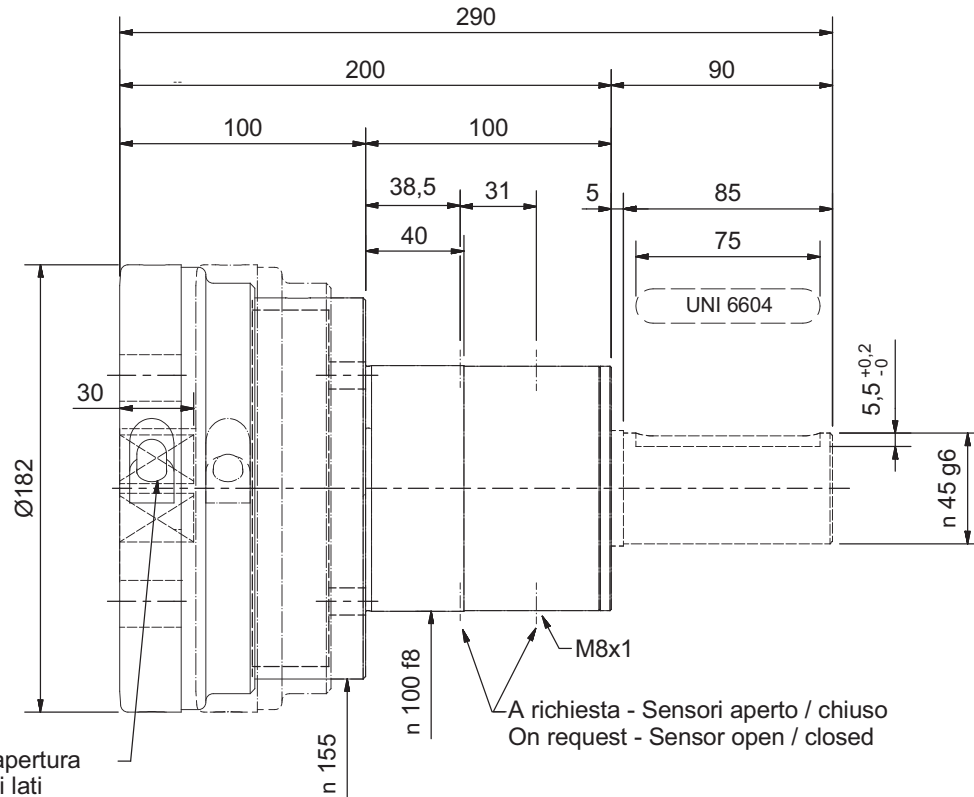
**SVECOM P.E.**

Expanding devices

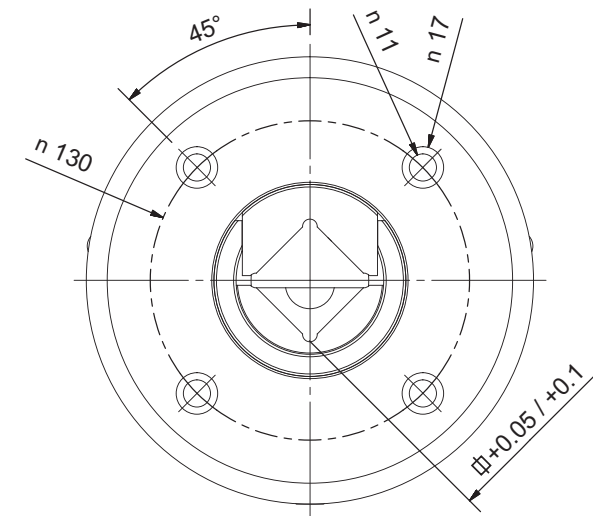
**SUPPORTO AUTOCHIUDENTE  
SELF-CLOSING SAFETY CHUCK**

Tipo  
Type

**926 KLLF1Q** con alberino  
with shaft extension  
**926 KLLF0Q** senza alberino  
without shaft extension



Pulsante di apertura  
da entrambi i lati  
Open button both sides



**A richiesta - On request:**

- Tipo Supporto  
Safety Chuck Type \_\_\_\_\_
- Quadro  
Square Socket \_\_\_\_\_
- $\varnothing$  Alberino  
Shaft diameter \_\_\_\_\_

**Protezione in plastica standard - Plastic finger guard is standard**

| Portata Max<br>Coppia Supporti<br>Capacity per Pair | Max Torsione Trasmissibile<br>Max Torque Transmissible | Velocità Massima<br>Max Speed | Quadri Standard<br>Square Standard Socket                                   | $\varnothing$ Alberino Standard<br>Standard Shaft Diameter |
|---|--|-------------------------------|---|--|
| 15600 N   | 1000 N/M   | 1200 RPM                      | $\varnothing 30 / \varnothing 31.75$<br>$\varnothing 35 / \varnothing 38.1$ | $\varnothing 45$   |