



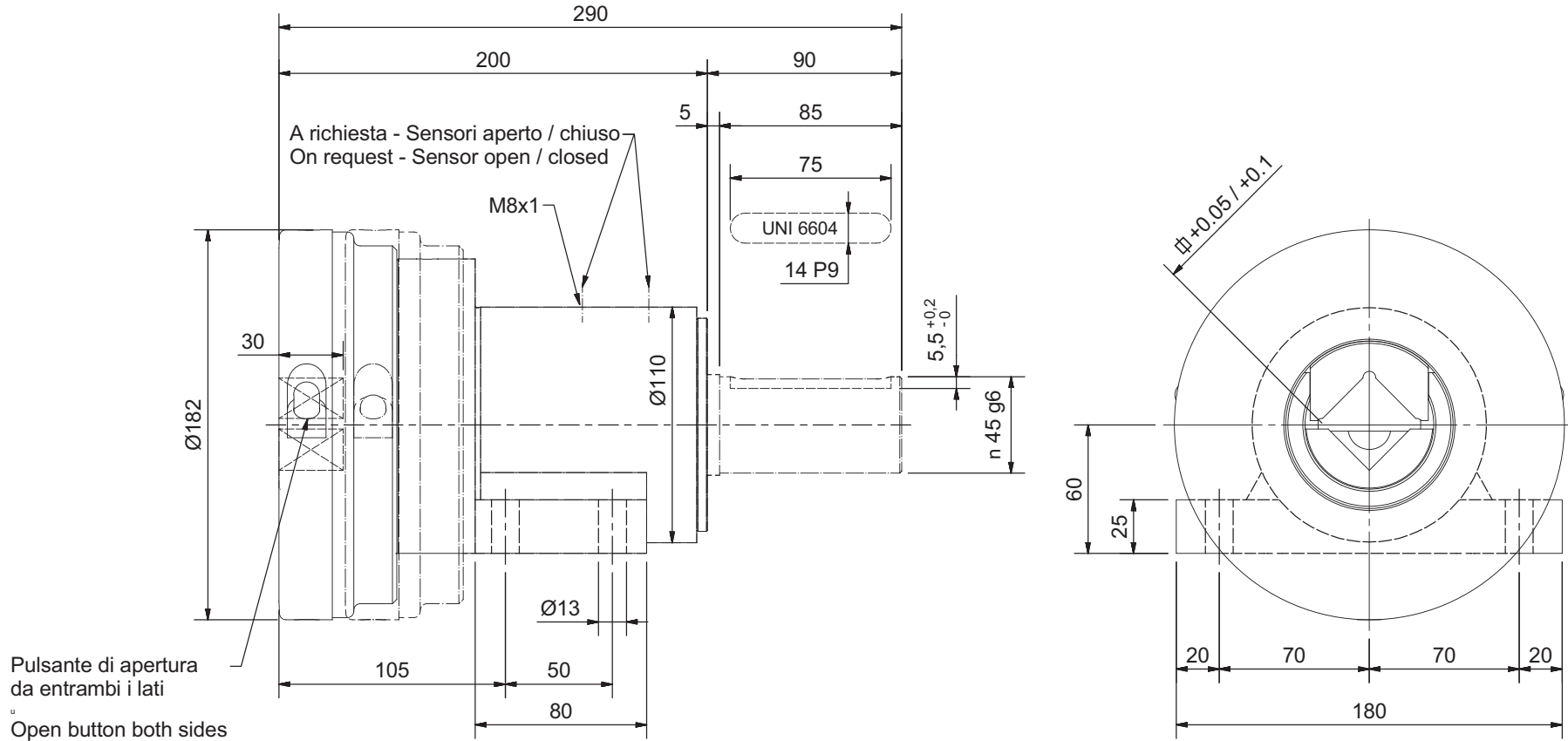
**SVECOM P.E.**

Expanding devices

**SUPPORTO AUTOCHIUDENTE  
SELF-CLOSING SAFETY CHUCK**

Tipo  
Type

**926 KLLP1Q** con alberino  
with shaft extension  
**926 KLLP0Q** senza alberino  
without shaft extension



A richiesta - On request:

- Tipo Supporto  
Safety Chuck Type \_\_\_\_\_
- Quadro  
Square Socket \_\_\_\_\_
- $\varnothing$  Alberino  
Shaft diameter \_\_\_\_\_

Protezione in plastica standard - Plastic finger guard is standard

Portata Max Coppia Supporti Capacity per Pair	Max Torsione Trasmissibile Max Torque Transmissible	Velocità Massima Max Speed	Quadri Standard Square Standard Socket	$\varnothing$ Alberino Standard Standard Shaft Diameter
15600 N	1000 N/M	1200 RPM	$\varnothing 30 / \varnothing 31.75$ $\varnothing 35 / \varnothing 38.1$	$\varnothing 45$