

**SVECOM P.E.**

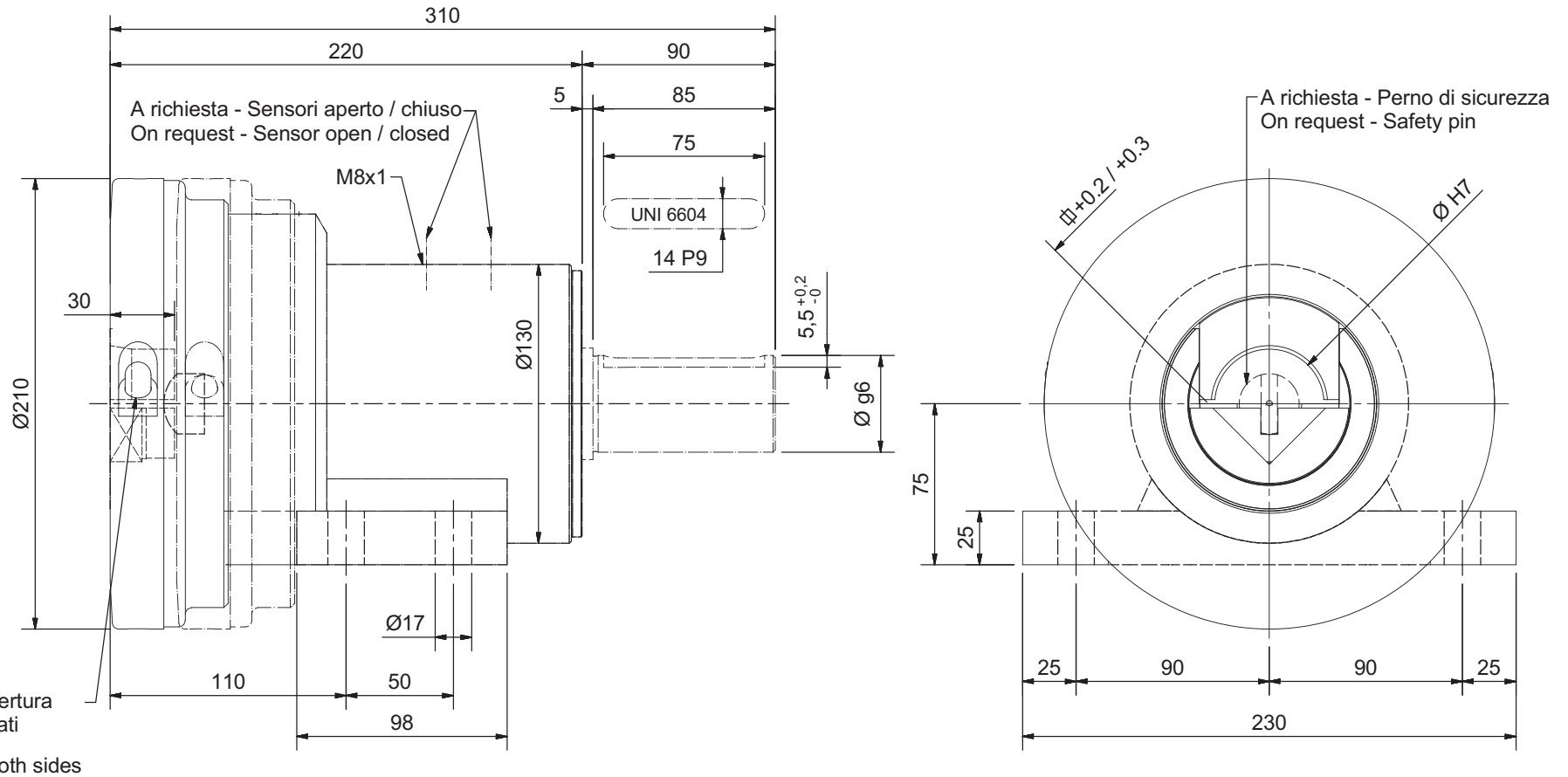
Expanding devices

**SUPPORTO AUTOCHIUDENTE  
SELF-CLOSING SAFETY CHUCK**

Tipo  
Type

**926 KLPP1**  
**926 KLPP0**

con alberino  
with shaft extension  
senza alberino  
without shaft extension



**A richiesta - On request:**

- Tipo Supporto  
Safety Chuck Type \_\_\_\_\_
- Quadro  
Square Socket \_\_\_\_\_
- Ø Alberino  
Shaft diameter \_\_\_\_\_

**Protezione in plastica standard - Plastic finger guard is standard**

Portata Max Coppia Supporti Capacity per Pair	Max Torsione Trasmissibile Max Torque Transmissible	Velocità Massima Max Speed	Quadri Standard Square Standard Socket	Ø Alberino Standard Standard Shaft Diameter
30000 N	1300 N/M	1500 RPM	$\text{Ø} 40\text{-}\text{Ø} 55$	$\text{Ø} 45 / \text{Ø} 50$