

SVECOM P.E.

Expanding devices

**SUPPORTO AUTOCHIUDENTE
SELF-CLOSING SAFETY CHUCK**

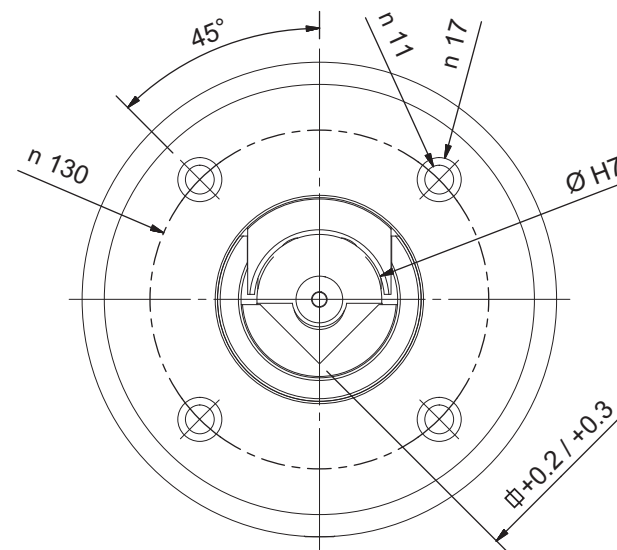
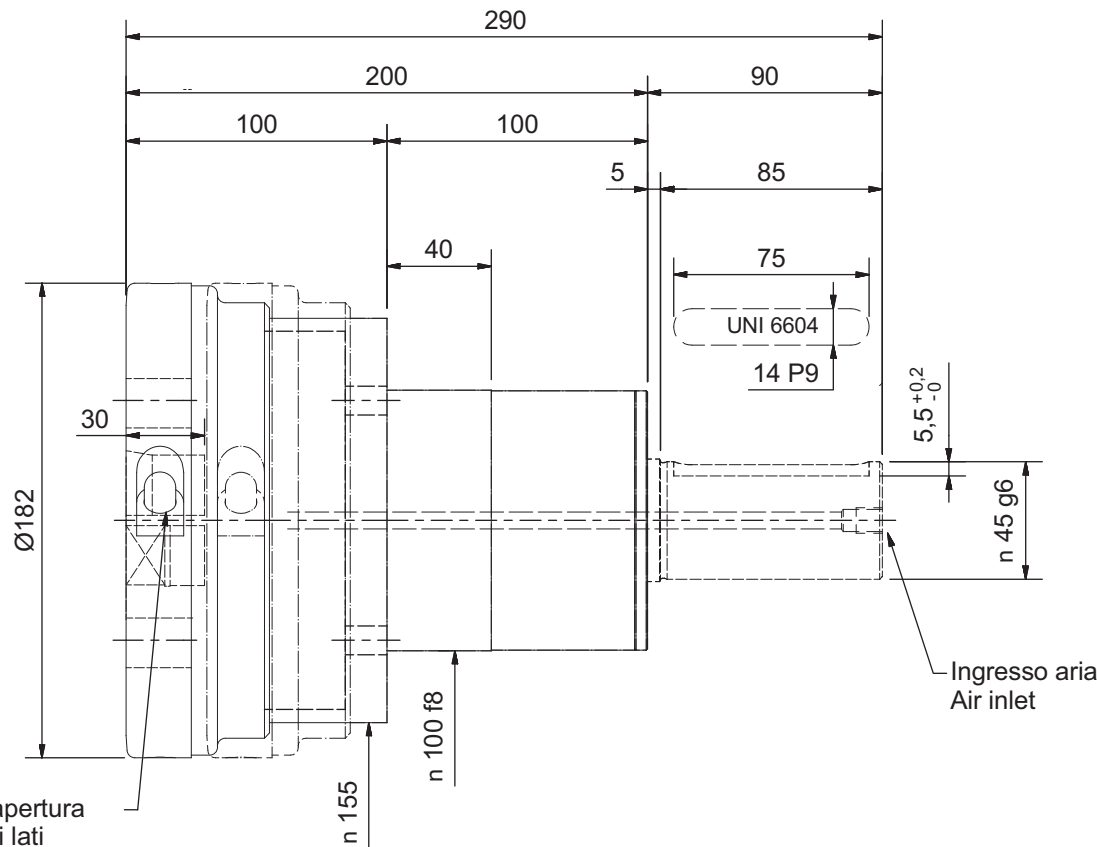
Tipo
Type

926 KLALF1

con alberino
with shaft extension

926 KLALF0

senza alberino
without shaft extension



Pulsante di apertura
da entrambi i lati

Open button both sides

A richiesta - On request:

- Tipo Supporto
Safety Chuck Type _____
- Quadro
Square Socket _____
- Ø Alberino
Shaft diameter _____

Protezione in plastica standard - *Plastic finger guard is standard*

Portata Max Coppia Supporti Capacity per Pair	Max Torsione Trasmissibile Max Torque Transmissible	Velocità Massima Max Speed	Quadri Standard Square Standard Socket	Ø Alberino Standard Standard Shaft Diameter
15600 N	1000 N/M	1200 RPM	♂30-Ø42 / ♂31.75-Ø44.45 ♂35-Ø50 / ♂38.1-Ø50.8	Ø45