

SVECOM P.E.

Expanding devices

**SUPPORTO AUTOCHIUDENTE
SELF-CLOSING SAFETY CHUCK**

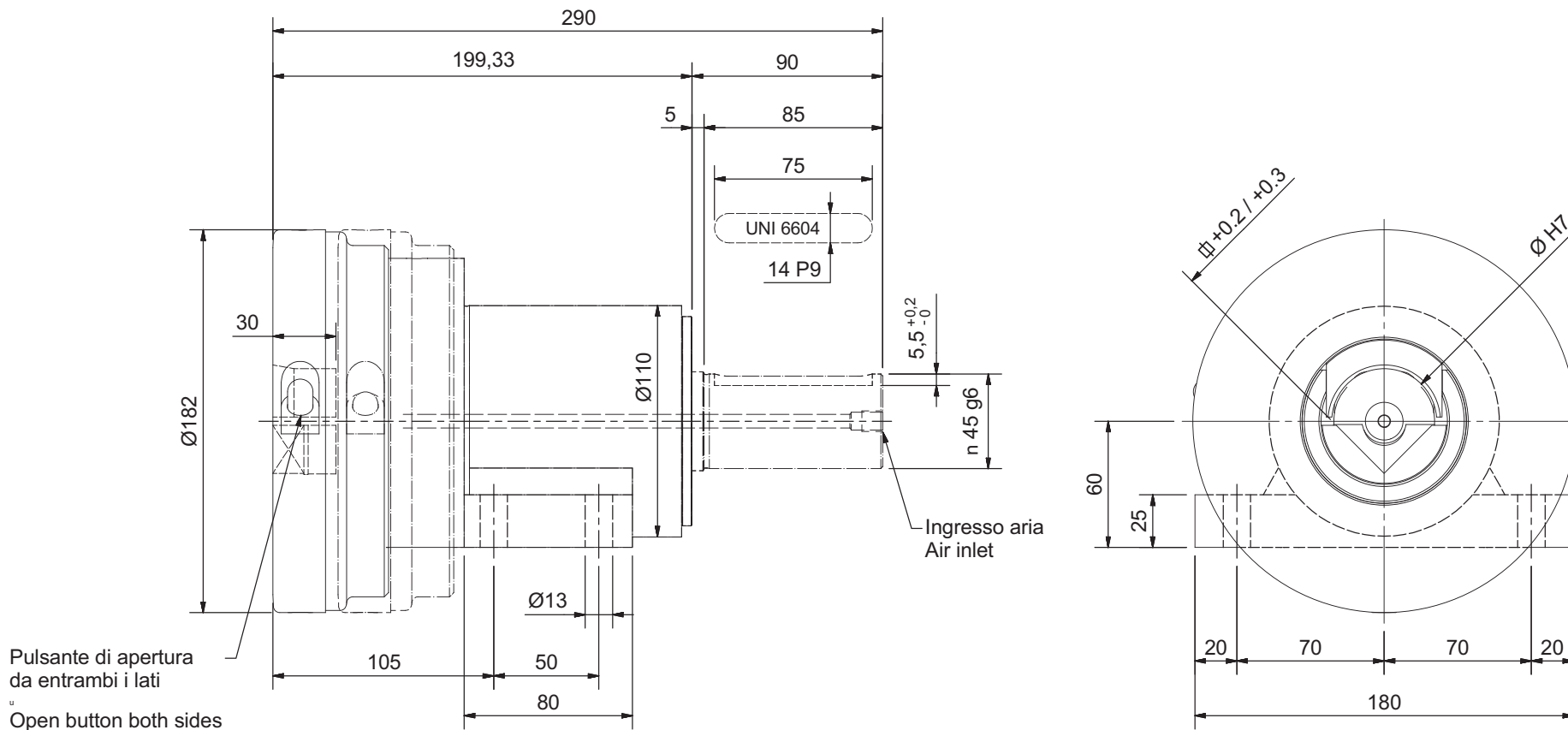
Tipo
Type

926 KLALP1

con alberino
with shaft extension

926 KLALP0

senza alberino
without shaft extension



A richiesta - On request:

- Tipo Supporto
Safety Chuck Type _____
- Quadro
Square Socket _____
- Ø Alberino
Shaft diameter _____

Protezione in plastica standard - *Plastic finger guard is standard*

Portata Max Coppia Supporti Capacity per Pair	Max Torsione Trasmissibile Max Torque Transmissible	Velocità Massima Max Speed	Quadri Standard Square Standard Socket	Ø Alberino Standard Standard Shaft Diameter
15600 N	1000 N/M	1200 RPM	$\varnothing 30$ - $\varnothing 42$ / $\varnothing 31.75$ - $\varnothing 44.45$ $\varnothing 35$ - $\varnothing 50$ / $\varnothing 38.1$ - $\varnothing 50.8$	$\varnothing 45$