

SVECOM P.E.

Expanding devices

**SUPPORTO AUTOCHIUDENTE
SELF-CLOSING SAFETY CHUCK**

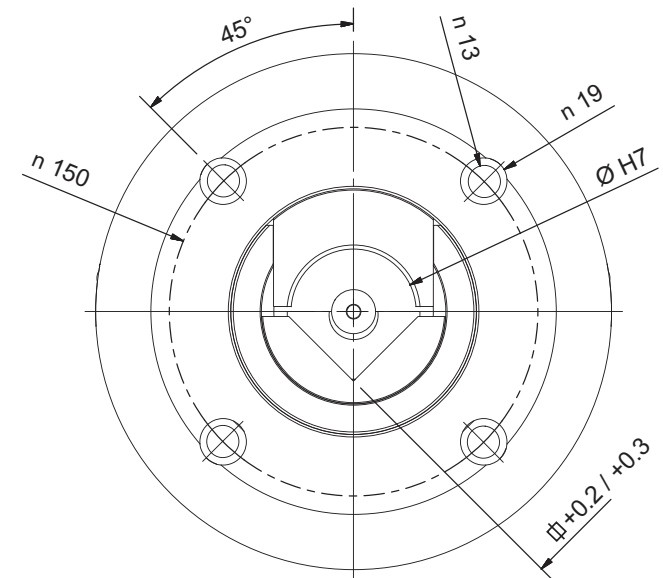
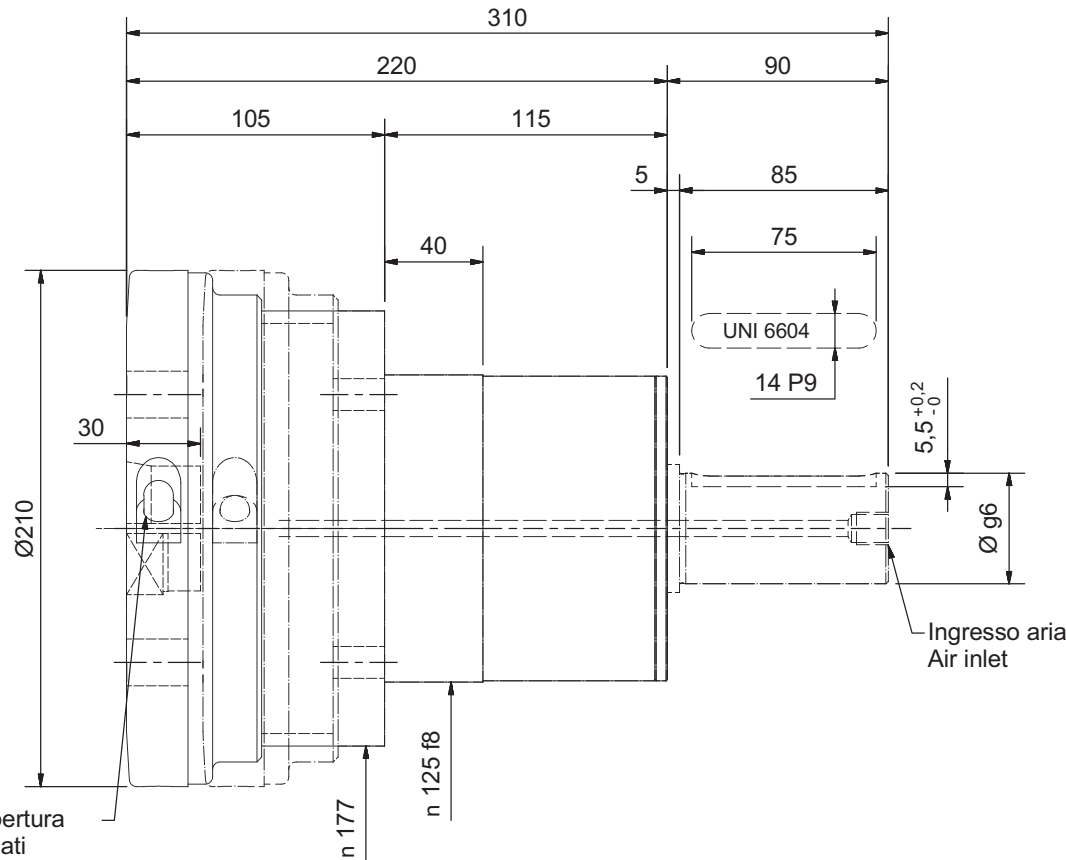
Tipo
Type

926 KLAPF1

con alberino
with shaft extension

926 KLAPF0

senza alberino
without shaft extension



Pulsante di apertura
da entrambi i lati

Open button both sides

A richiesta - On request:

- Tipo Supporto
Safety Chuck Type _____
- Quadro
Square Socket _____
- \varnothing Alberino
Shaft diameter _____

Protezione in plastica standard - *Plastic finger guard is standard*

Portata Max Coppia Supporti Capacity per Pair	Max Torsione Trasmissibile Max Torque Transmissible	Velocità Massima Max Speed	Quadri Standard Square Standard Socket	\varnothing Alberino Standard Standard Shaft Diameter
30000 N	1300 N/M	1500 RPM	\varnothing 40- \varnothing 55	\varnothing 45 / \varnothing 50