

# SVECOM P.E. SUPPORTO SAFETY CHUCK

Expanding devices

Testa rotante / rotary head

Testa fissa / stationary head

Tipo **935 PNLP1TR**

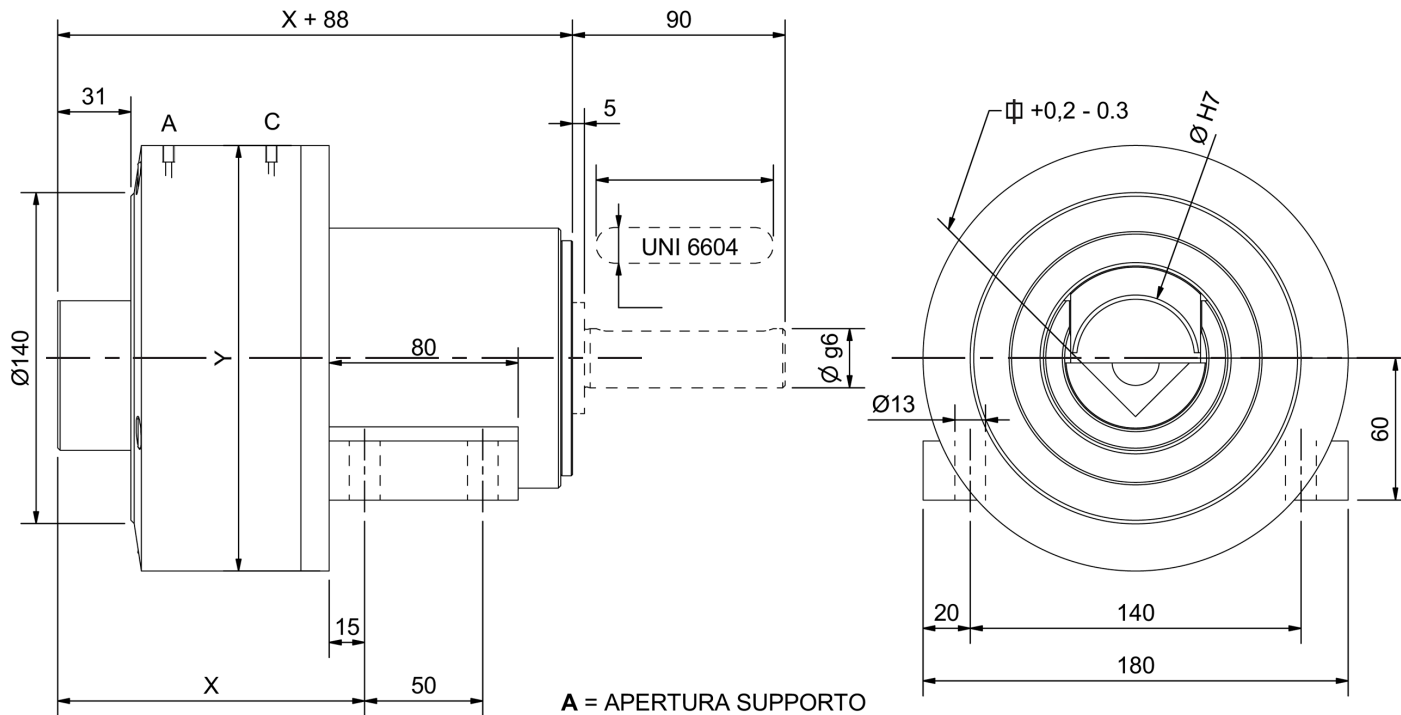
**936 PNLP1TF**

con alberino  
with shaft extension

Type **935 PNLP0TR**

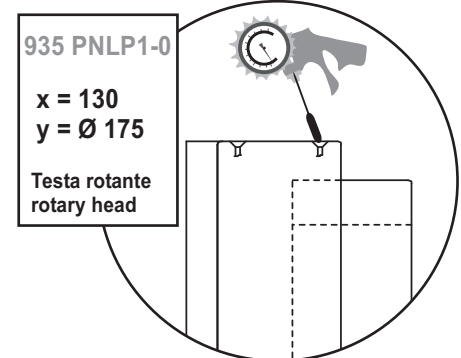
**936 PNLP0TF**

senza alberino  
without shaft extension

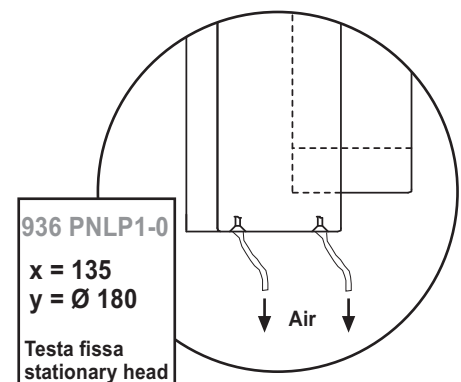


A = APERTURA SUPPORTO  
SAFETY CHUCK OPENING

C = CHIUSURA SUPPORTO  
SAFETY CHUCK CLOSING



Gonfiaggio manuale  
Manual inflate



Gonfiaggio automatico  
Automatic inflate

**A richiesta - On request:**

- Tipo Supporto  
Safety Chuck Type \_\_\_\_\_
- Quadro  
Square Socket \_\_\_\_\_
- Ø Alberino  
Shaft diameter \_\_\_\_\_

Protezione in acciaio standard - *Steel finger guard is standard*

Portata Max Coppia Supporti Capacity per Pair	Max Torsione Trasmissibile Max Torque Transmissible	Velocità Massima Max Speed	Quadri Standard Square Standard Socket	Ø Alberino Standard Standard Shaft Diameter
15600 N	1000 N/M	1200 RPM	Ø35 - Ø 50	Ø 25 - Ø 45