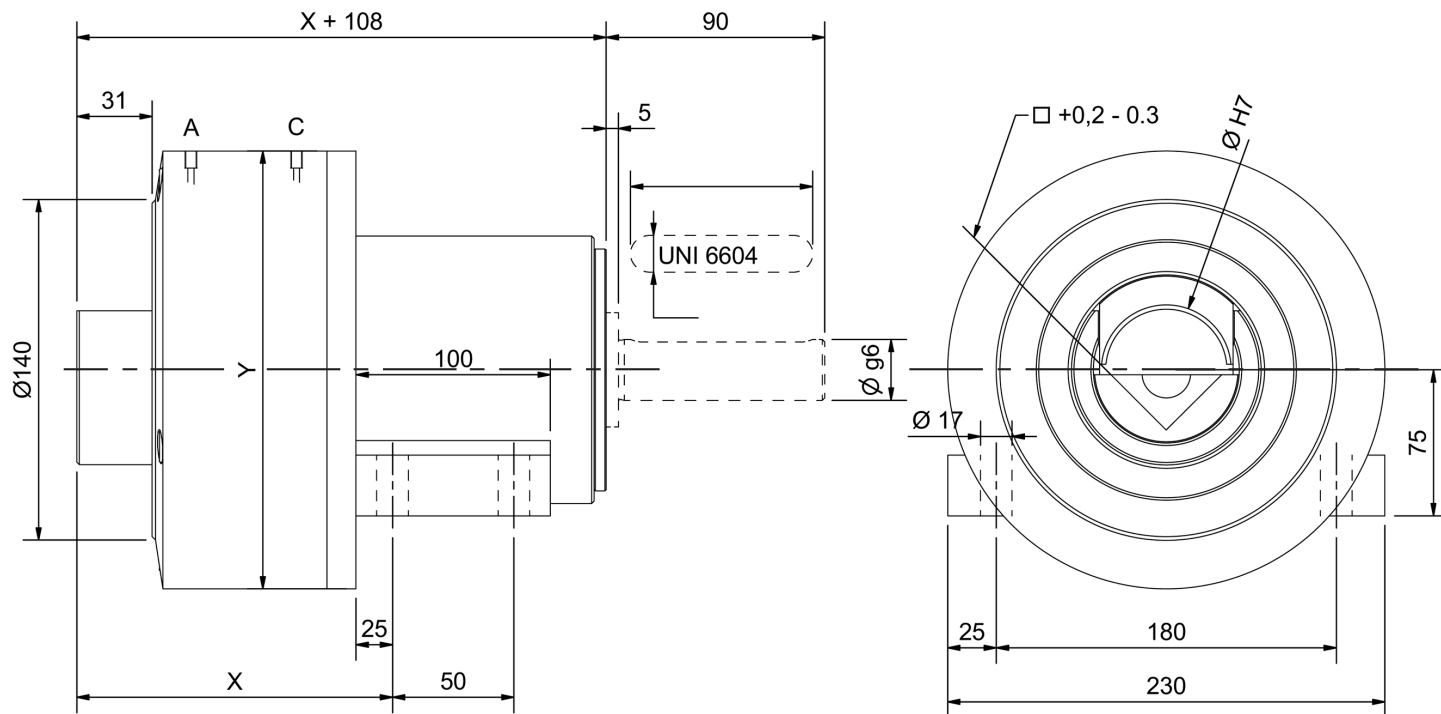


# SVECOM P.E. SUPPORTO SAFETY CHUCK

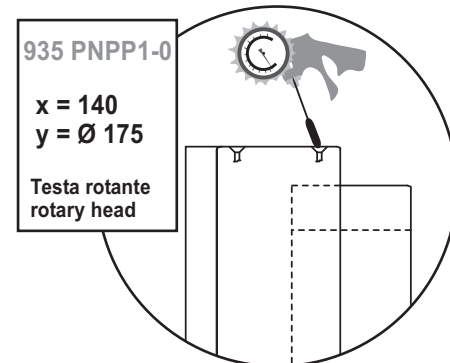
Expanding devices

	Testa rotante / rotary head	Testa fissa / stationary head	
Tipo	<b>935 PNPP1TR</b>	<b>936 PNPP1TF</b>	con alberino / with shaft extension
Type	<b>935 PNPP0TR</b>	<b>936 PNPP0TF</b>	senza alberino / without shaft extension



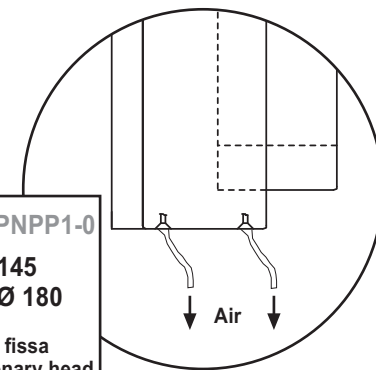
A = APERTURA SUPPORTO SAFETY CHUCK OPENING

C = CHIUSURA SUPPORTO SAFETY CHUCK CLOSING



**935 PNPP1-0**  
 x = 140  
 y = Ø 175  
 Testa rotante / rotary head

Gonfiaggio manuale / Manual inflate



**936 PNPP1-0**  
 x = 145  
 y = Ø 180  
 Testa fissa / stationary head

Gonfiaggio automatico / Automatic inflate

**A richiesta - On request:**

- Tipo Supporto / Safety Chuck Type \_\_\_\_\_
- Quadro / Square Socket \_\_\_\_\_
- Ø Alberino / Shaft diameter \_\_\_\_\_

Protezione in acciaio standard - Steel finger guard is standard

Portata Max Coppia Supporti Capacity per Pair	Max Torsione Trasmissibile Max Torque Transmissible	Velocità Massima Max Speed	Quadri Standard Square Standard Socket	Ø Alberino Standard Standard Shaft Diameter
30000 N	1300 N/M	1500 RPM	♁40 - Ø 55	Ø 30 - Ø 50