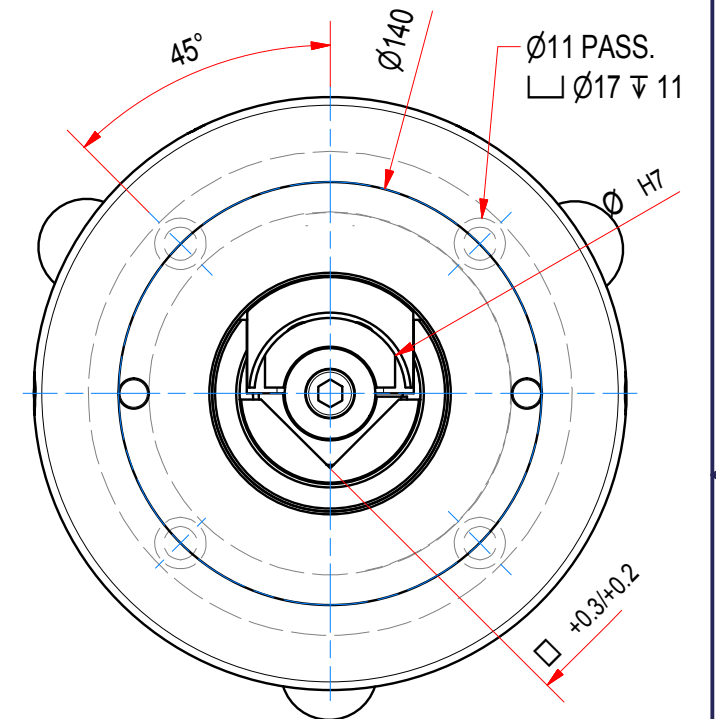
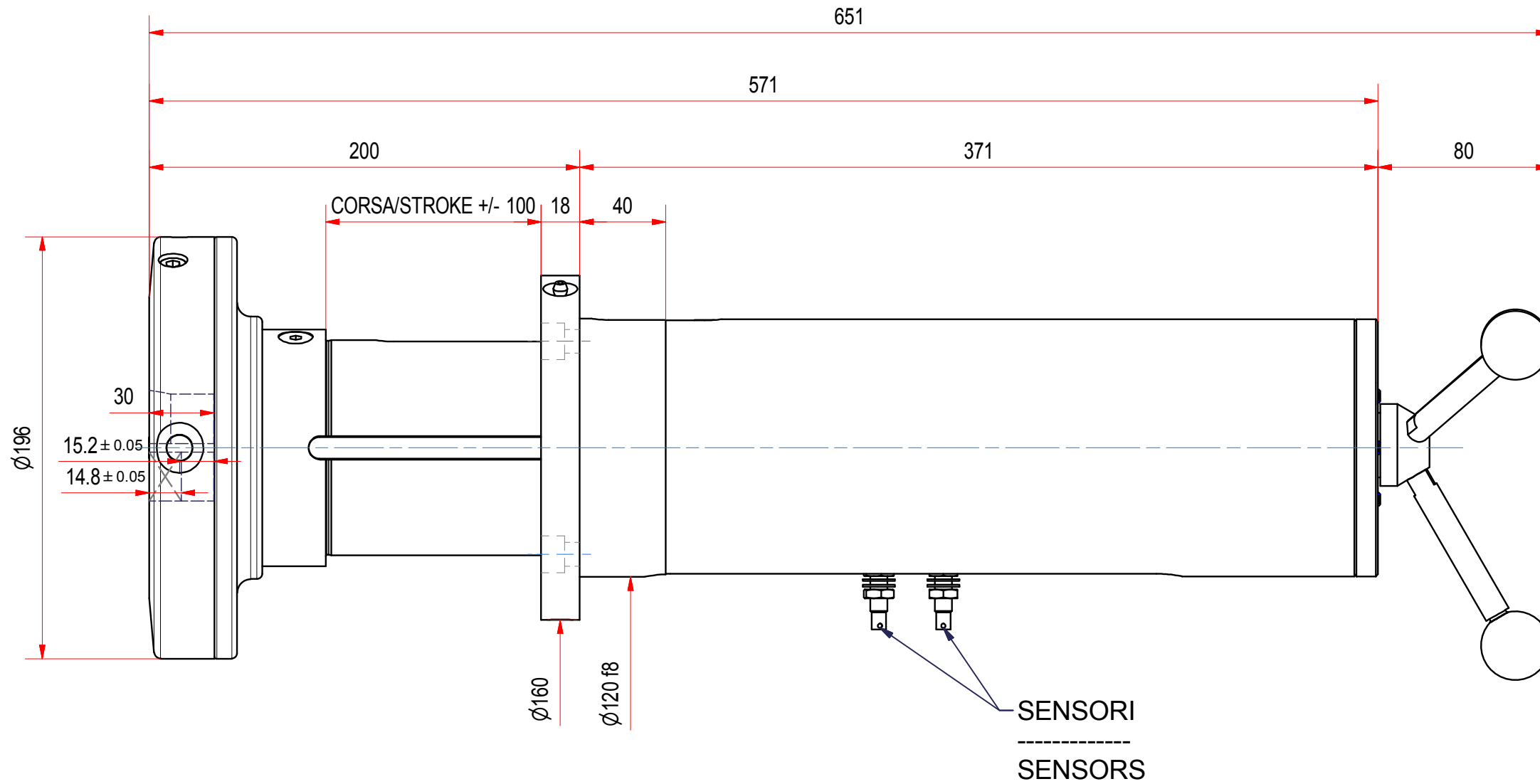


SUPPORTO SAFETY CHUCK

Tipo 950 KLLF2C100
Type

con volantino e
sensori
with handwheel
and sensors



A richiesta - On request:

- Tipo Supporto
Safety Chuck Type _____
- Quadro
Square Socket _____
- \varnothing Alberino
Shaft diameter _____

Protezione in plastica standard - Plastic finger guard is standard

Portata Max Coppia Supporti Capacity per Pair	Max Torsione Trasmissibile Max Torque Transmissible	Velocità Massima Max Speed	Quadri Standard Square Standard Socket	\varnothing Alberino Standard Standard Shaft Diameter
15600 N	1000 Nm	1200 RPM	$\square 30 - \varnothing 42$ $\square 35 - \varnothing 50$	$\varnothing 25 - \varnothing 30$