

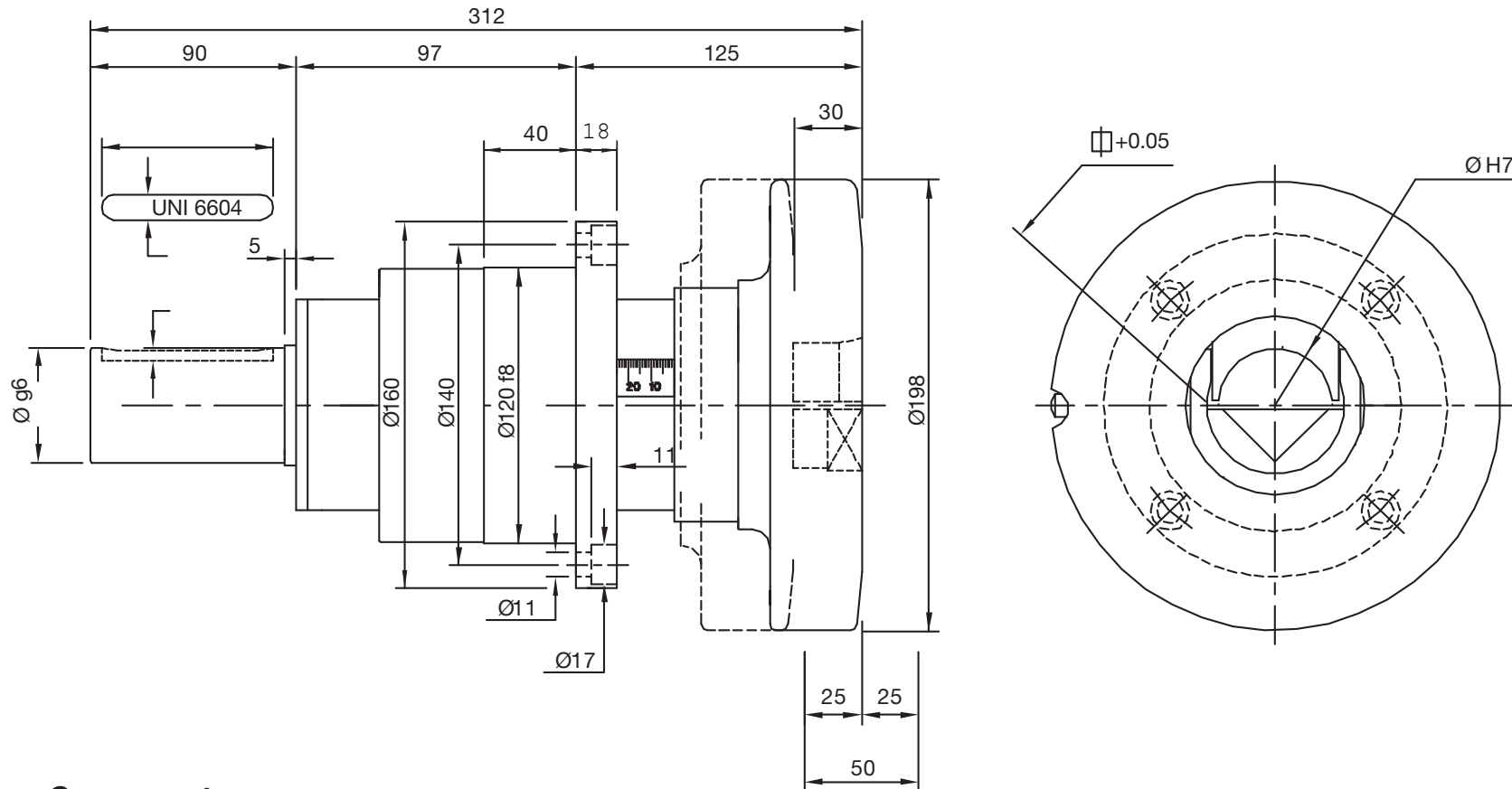


SVECOM P.E.
Web site: www.svecom.com

SUPPORTO SAFETY CHUCK

Tipo
Type

950 KLLF1 con alberino
with shaft extension



A richiesta - On request:

- Tipo Supporto
Safety Chuck Type _____
- Quadro
Square Socket _____
- Ø Alberino
Shaft diameter _____

Protezione in plastica standard - Plastic finger guards are standard

Portata Max Coppia Supporti Capacity per Pair	Max Torsione Trasmissibile Max Torque Transmissible	Velocità Massima Max Speed	Quadri Standard Square Standard Socket	Ø Alberino Standard Standard Shaft Diameter
15600 N	1000 N/M	1200 RPM	⌀ 30 - Ø 42 ⌀ 35 - Ø 50	Ø 45