



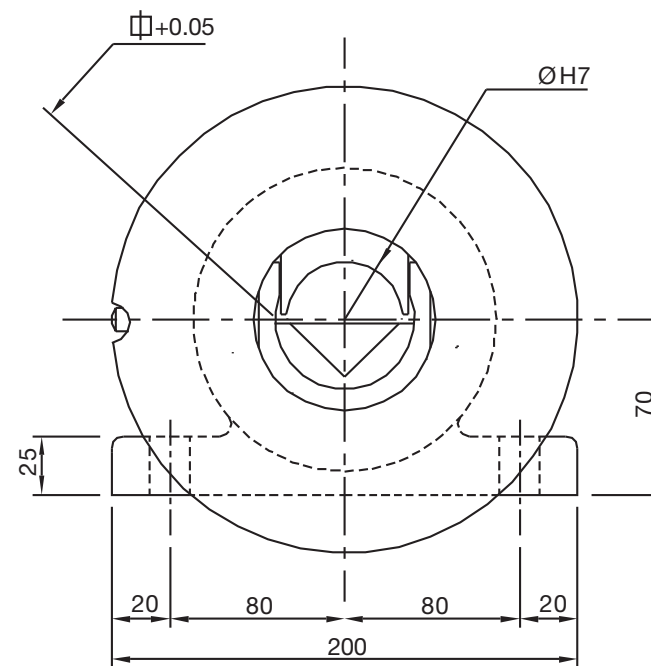
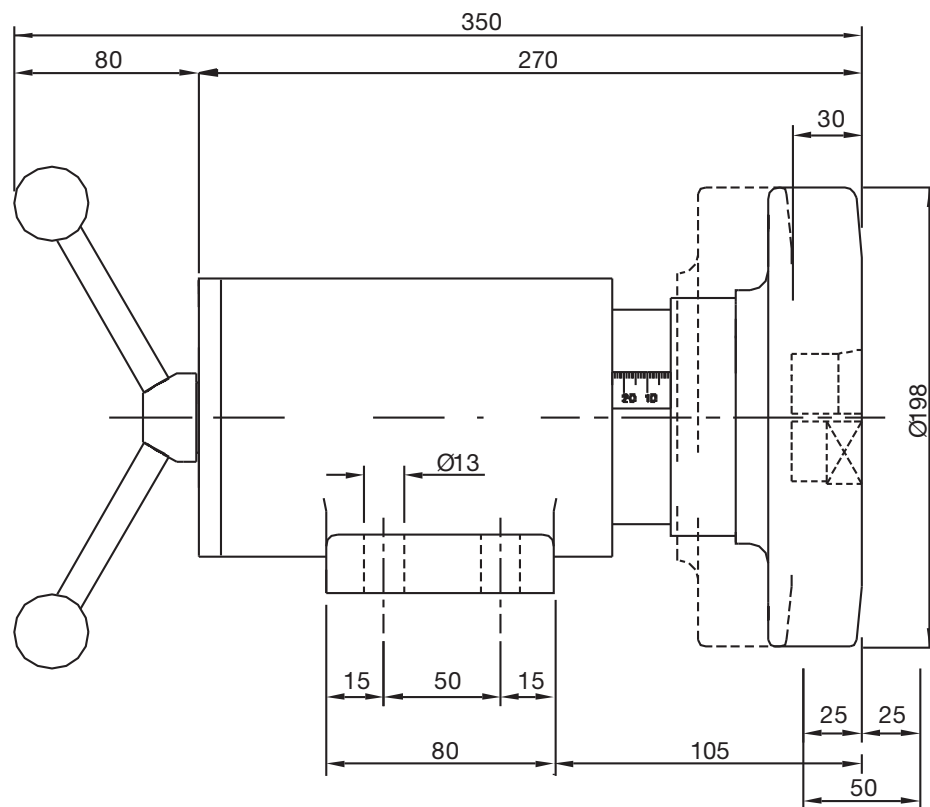
SVECOM P.E.

Web site: www.svecom.com

SUPPORTO SAFETY CHUCK

Tipo
Type

950 KLLP2 con volantino
with handwheel



A richiesta - On request:

- Tipo Supporto
Safety Chuck Type _____
- Quadro
Square Socket _____
- Ø Alberino
Shaft diameter _____

Protezione in plastica standard - Plastic finger guards are standard

Portata Max Coppia Supporti Capacity per Pair	Max Torsione Trasmissibile Max Torque Transmissible	Velocità Massima Max Speed	Quadri Standard Square Standard Socket
15600 N	1000 N/M	1200 RPM	$\varnothing 30 - \varnothing 42$ $\varnothing 35 - \varnothing 50$