

SVECOM P.E.

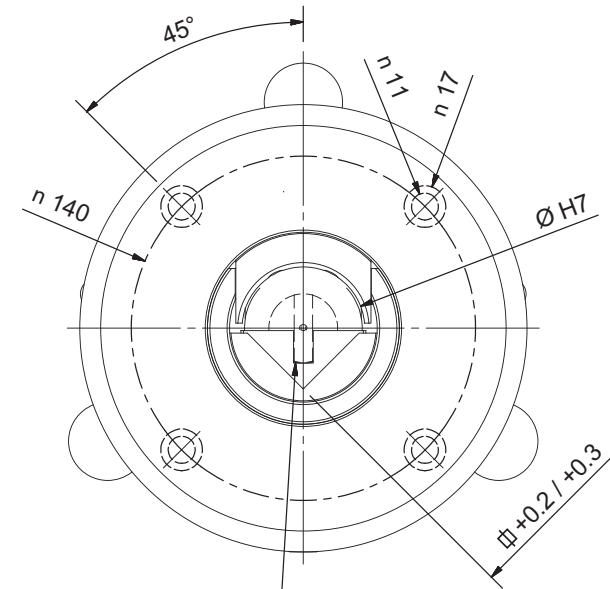
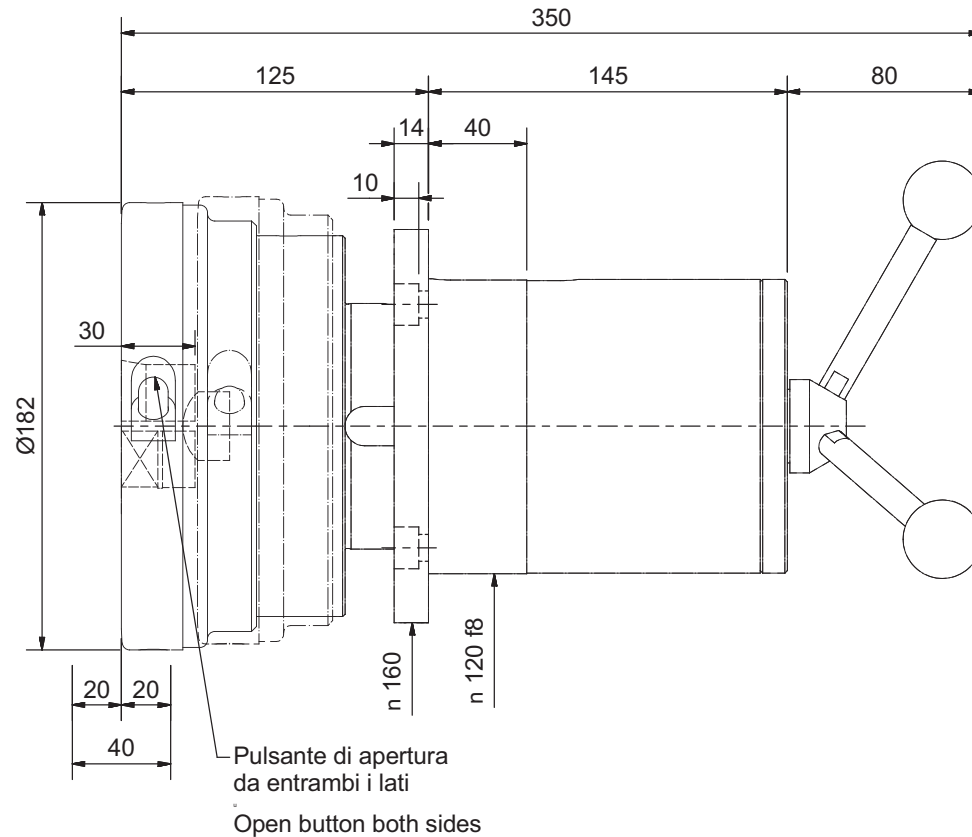
Expanding devices

**SUPPORTO AUTOCHIUDENTE
SELF-CLOSING SAFETY CHUCK**

Tipo
Type

951 KLLF2

con volantino
with handwheel



A richiesta - Perno di sicurezza
On request - Safety pin

A richiesta - On request:

- Tipo Supporto
Safety Chuck Type _____
- Quadro
Square Socket _____
- \varnothing Alberino
Shaft diameter _____

Protezione in plastica standard - Plastic finger guard is standard

Portata Max Coppia Supporti Capacity per Pair	Max Torsione Trasmissibile Max Torque Transmissible	Velocità Massima Max Speed	Quadri Standard Square Standard Socket	\varnothing Alberino Standard Standard Shaft Diameter
15600 N	1000 N/M	1200 RPM	$\varnothing 30-\varnothing 42$ / $\varnothing 31.75-\varnothing 44.45$ $\varnothing 35-\varnothing 50$ / $\varnothing 38.1-\varnothing 50.8$	—