

SVECOM P.E.

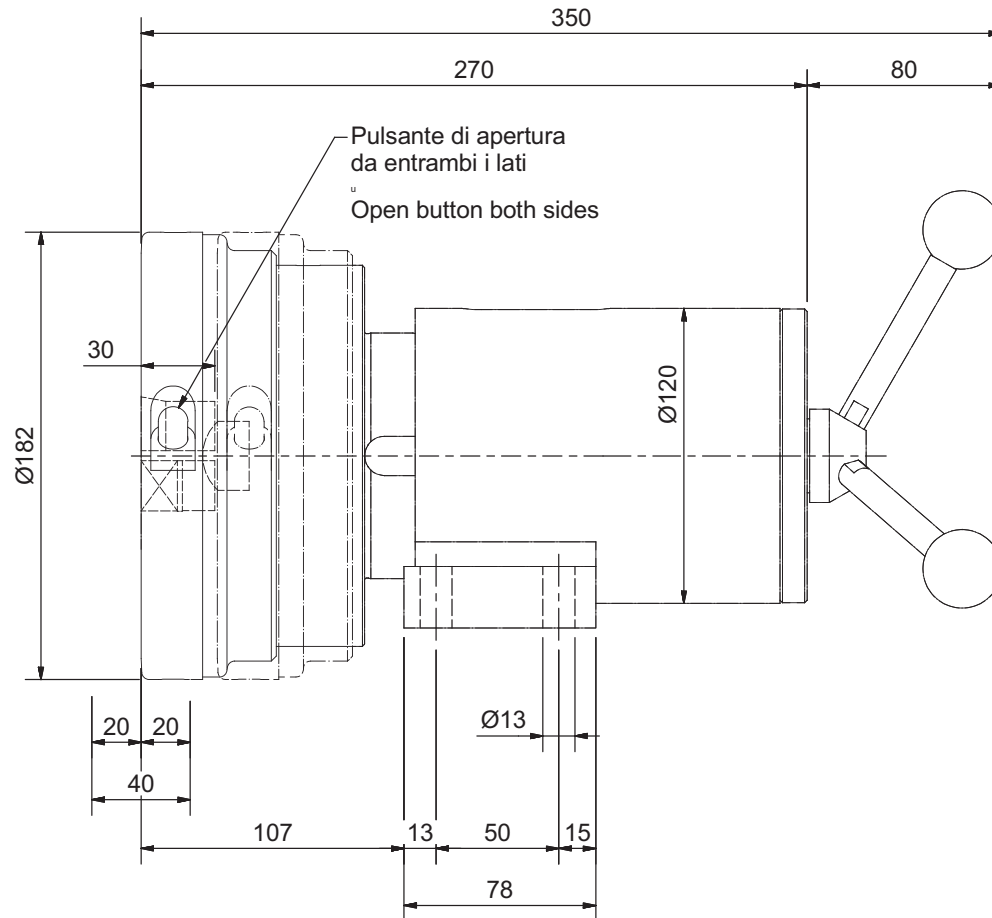
Expanding devices

**SUPPORTO AUTOCHIUDENTE
SELF-CLOSING SAFETY CHUCK**

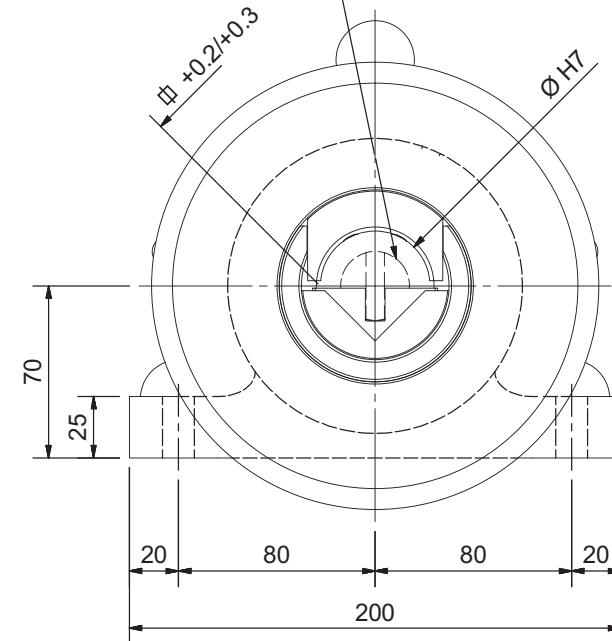
Tipo
Type

951 KLLP2

con volantino
with handwheel



A richiesta - Perno di sicurezza
On request - Safety pin



A richiesta - On request:

- Tipo Supporto
Safety Chuck Type _____
- Quadro
Square Socket _____
- Ø Alberino
Shaft diameter _____

Protezione in plastica standard - *Plastic finger guard is standard*

Portata Max Coppia Supporti Capacity per Pair	Max Torsione Trasmissibile Max Torque Transmissible	Velocità Massima Max Speed	Quadri Standard Square Standard Socket	Ø Alberino Standard Standard Shaft Diameter
15600 N	1000 N/M	1200 RPM	\varnothing 30- \varnothing 42 / \varnothing 31.75- \varnothing 44.45 \varnothing 35- \varnothing 50 / \varnothing 38.1- \varnothing 50.8	-