

SVECOM P.E.

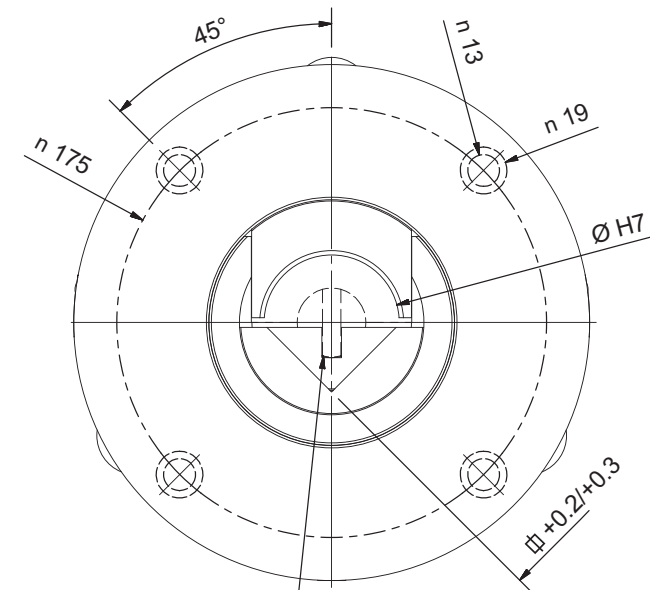
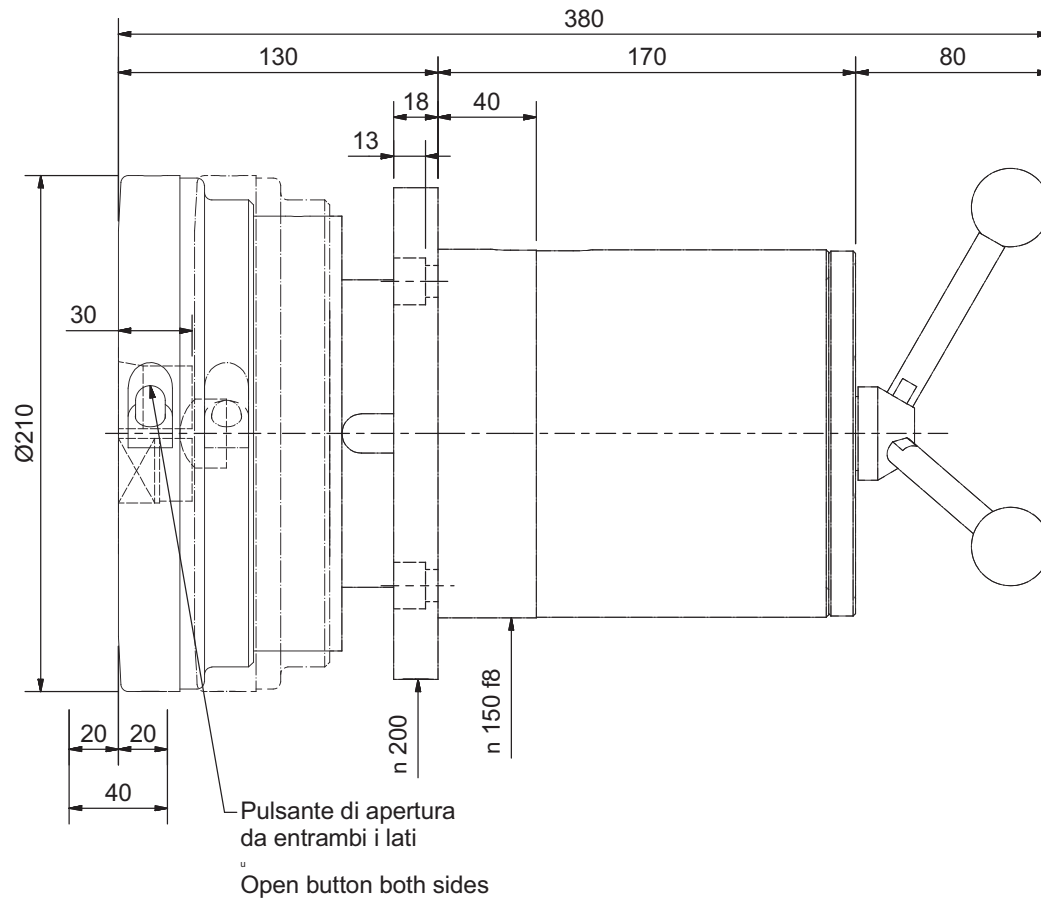
Expanding devices

**SUPPORTO AUTOCHIUDENTE
SELF-CLOSING SAFETY CHUCK**

Tipo
Type

951 KLPF2

con volantino
with handwheel



A richiesta - Perno di sicurezza
On request - Safety pin

A richiesta - On request:

- Tipo Supporto
Safety Chuck Type _____
- Quadro
Square Socket _____
- \varnothing Alberino
Shaft diameter _____

Protezione in plastica standard - Plastic finger guard is standard

Portata Max Coppia Supporti Capacity per Pair	Max Torsione Trasmissibile Max Torque Transmissible	Velocità Massima Max Speed	Quadri Standard Square Standard Socket	\varnothing Alberino Standard Standard Shaft Diameter
30000 N	1300 N/M	1500 RPM	\varnothing 40- \varnothing 55	-