

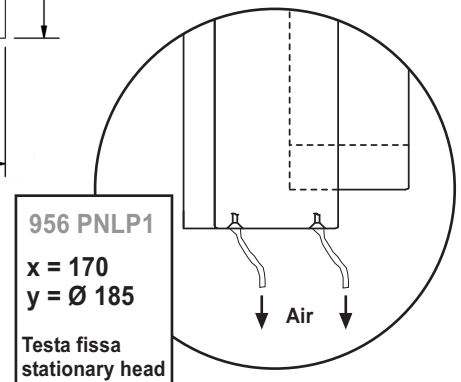
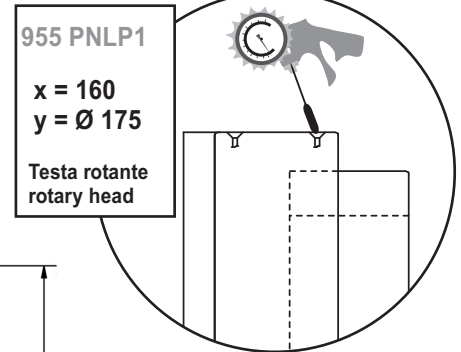
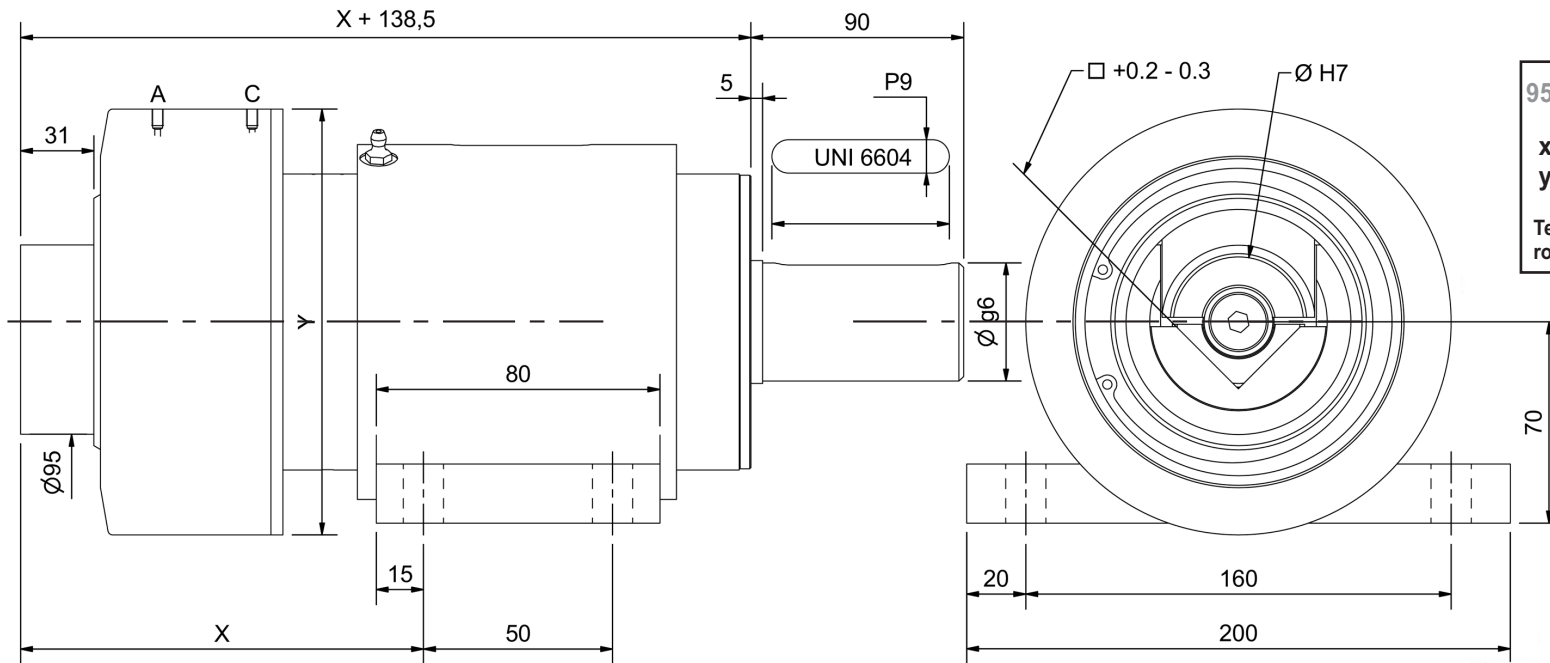
SVECOM P.E. SUPPORTO SAFETY CHUCK

Expanding devices

Testa rotante / rotary head

Testa fissa / stationary head

Tipo Type **955 PNLP1TR** **956 PNLP1TF** con alberino with shaft extension



A = APERTURA SUPPORTO
SAFETY CHUCK OPENING

C = CHIUSURA SUPPORTO
SAFETY CHUCK CLOSING

A richiesta - On request:

- Tipo Supporto
Safety Chuck Type _____
- Quadro
Square Socket _____
- Ø Alberino
Shaft diameter _____

Protezione in acciaio standard - *Steel finger guard is standard*

Portata Max Coppia Supporti Capacity per Pair	Max Torsione Trasmissibile Max Torque Transmissible	Velocità Massima Max Speed	Quadri Standard Square Standard Socket	Ø Alberino Standard Standard Shaft Diameter
15600 N	1000 N/M	1200 RPM	♁35 - Ø 50	Ø 30 - Ø 50