

# SVECOM P.E. SUPPORTO SAFETY CHUCK

Expanding devices

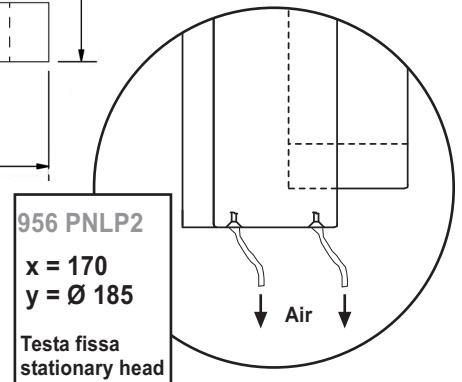
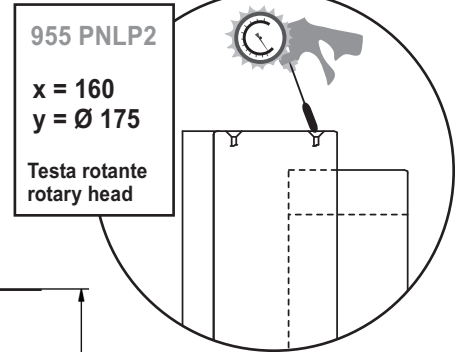
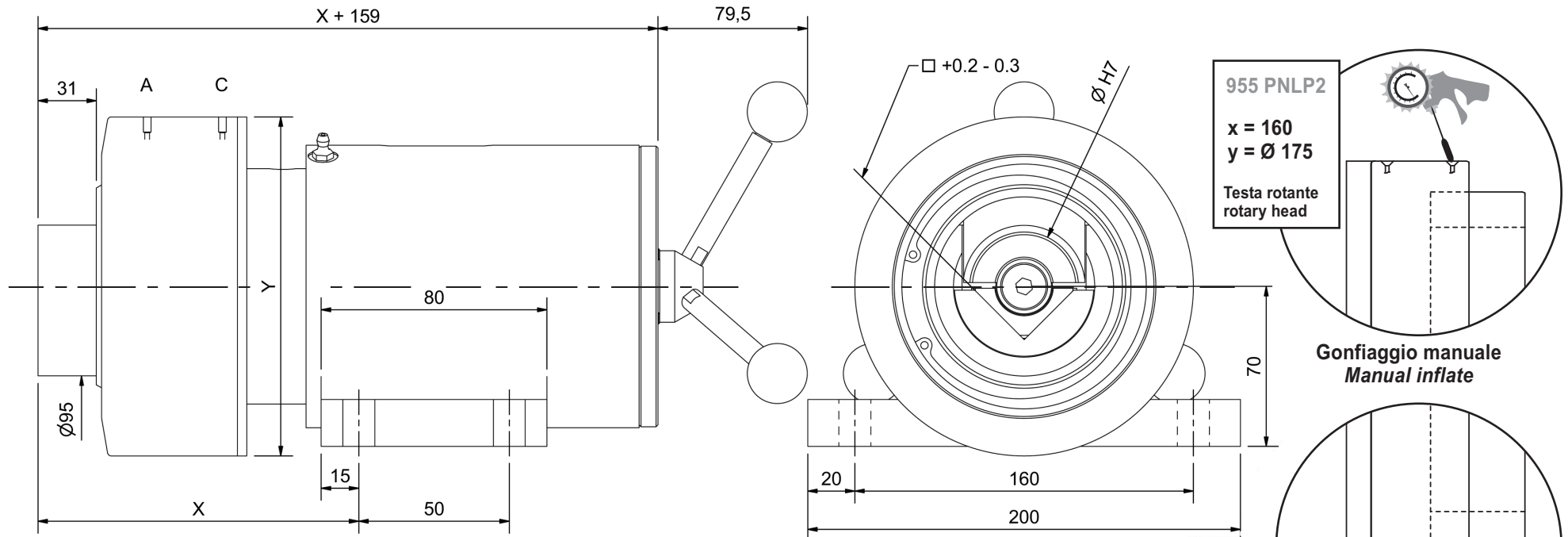
Testa rotante / rotary head

Testa fissa / stationary head

Tipo  
Type

**955 PNL2TR**

**956 PNL2TF** con volantino  
with handwheel



A = APERTURA SUPPORTO  
SAFETY CHUCK OPENING

C = CHIUSURA SUPPORTO  
SAFETY CHUCK CLOSING

**A richiesta - On request:**

- Tipo Supporto  
Safety Chuck Type \_\_\_\_\_
- Quadro  
Square Socket \_\_\_\_\_
- $\varnothing$  Alberino  
Shaft diameter \_\_\_\_\_

Protezione in acciaio standard - *Steel finger guard is standard*

Portata Max Coppia Supporti Capacity per Pair	Max Torsione Trasmissibile Max Torque Transmissible	Velocità Massima Max Speed	Quadri Standard Square Standard Socket
15600 N	1000 N/M	1200 RPM	$\varnothing 35 - \varnothing 50$