

SVECOM P.E.

Expanding devices

SUPPORTO SAFETY CHUCK

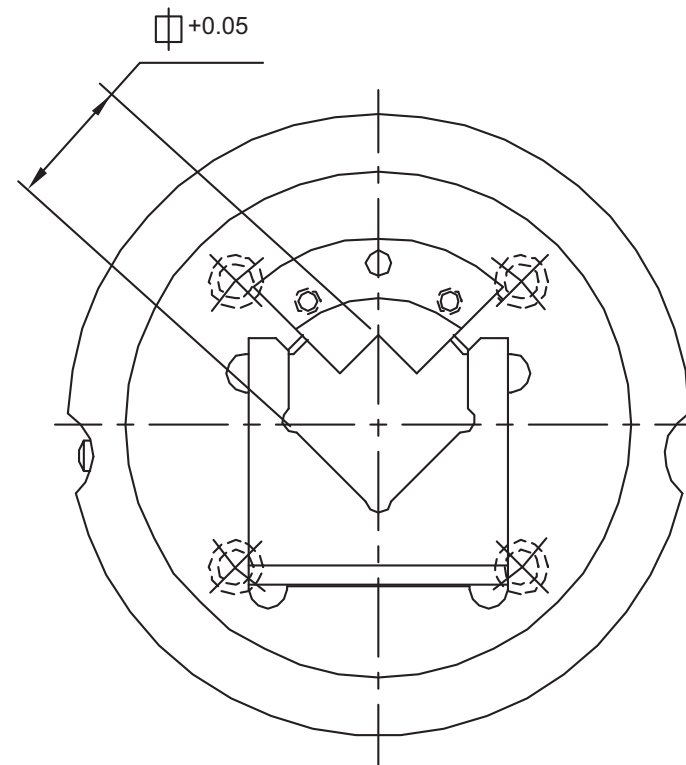
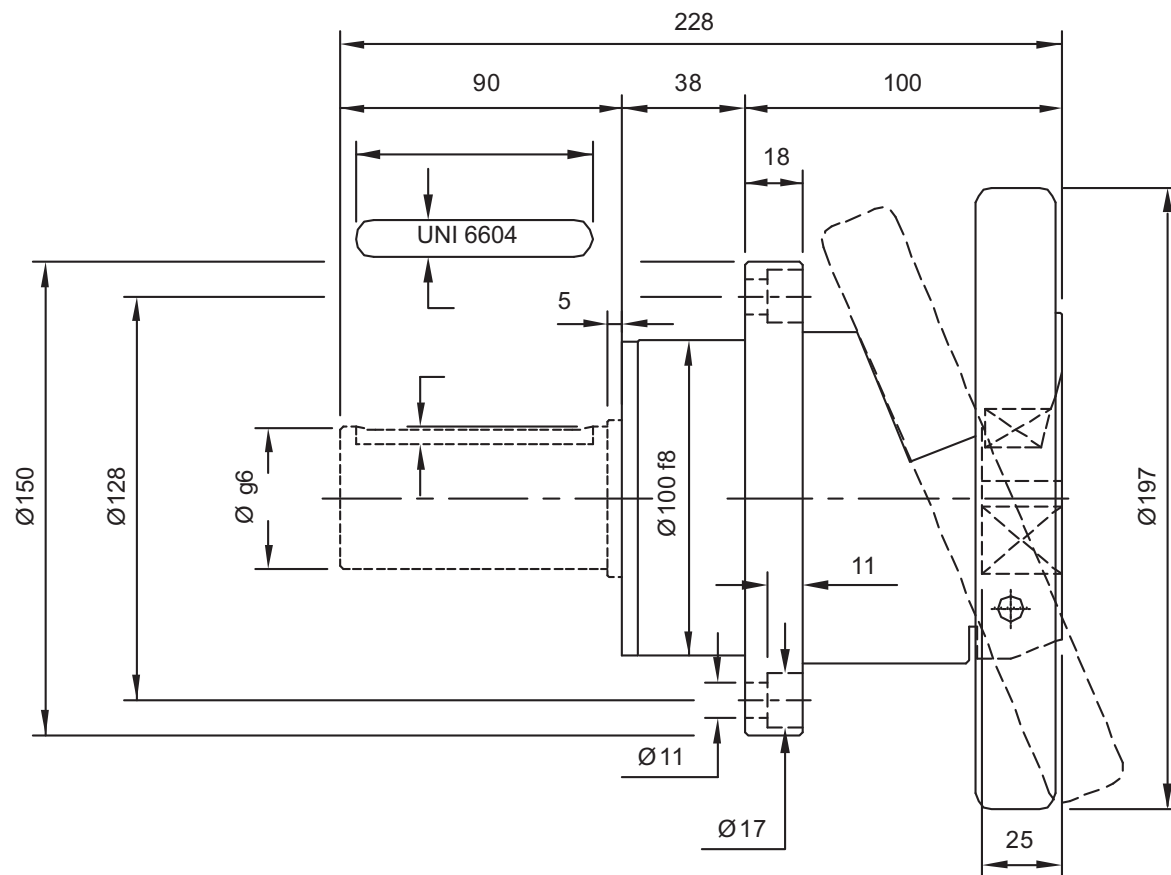
Tipo Type

910 KLPF1

con alberino with shaft extension

910 KLPF0

senza alberino without shaft extension

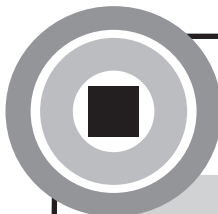


A richiesta - On request:

- Tipo Supporto Safety Chuck Type _____
- Quadro Square Socket _____
- Ø Alberino Shaft diameter _____

Protezione in acciaio standard - Steel finger guards are standard

Portata Max Coppia Supporti Capacity per Pair	Max Torsione Trasmissibile Max Torque Transmissible	Velocità Massima Max Speed	Quadri Standard Square Standard Socket	Ø Alberino Standard Standard Shaft Diameter
15600 N	1000 N/M	600 RPM	⌀ 30 - ⌀ 40	Ø 45



SVECOM P.E.

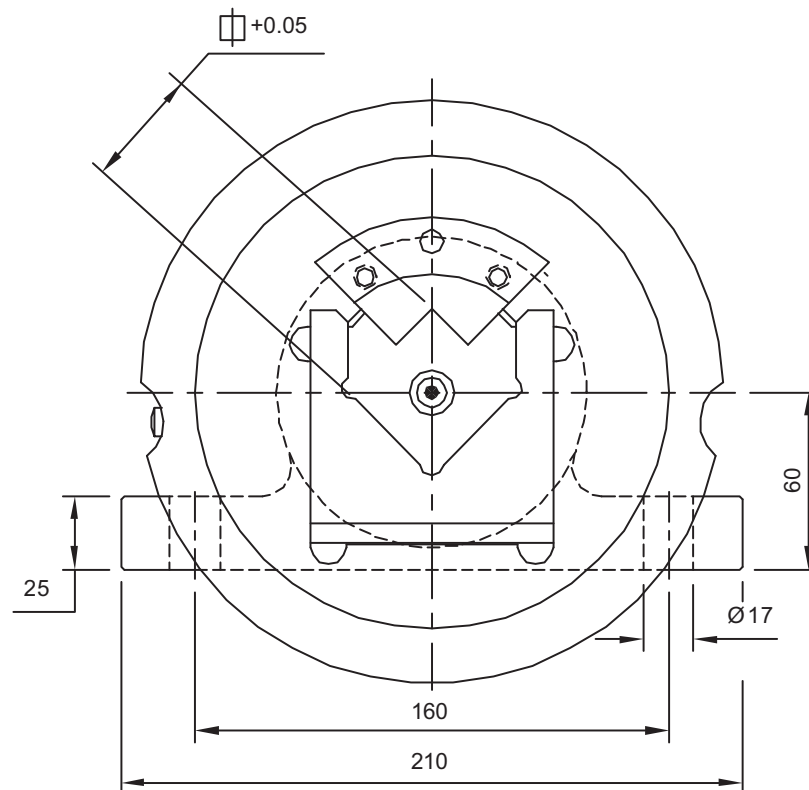
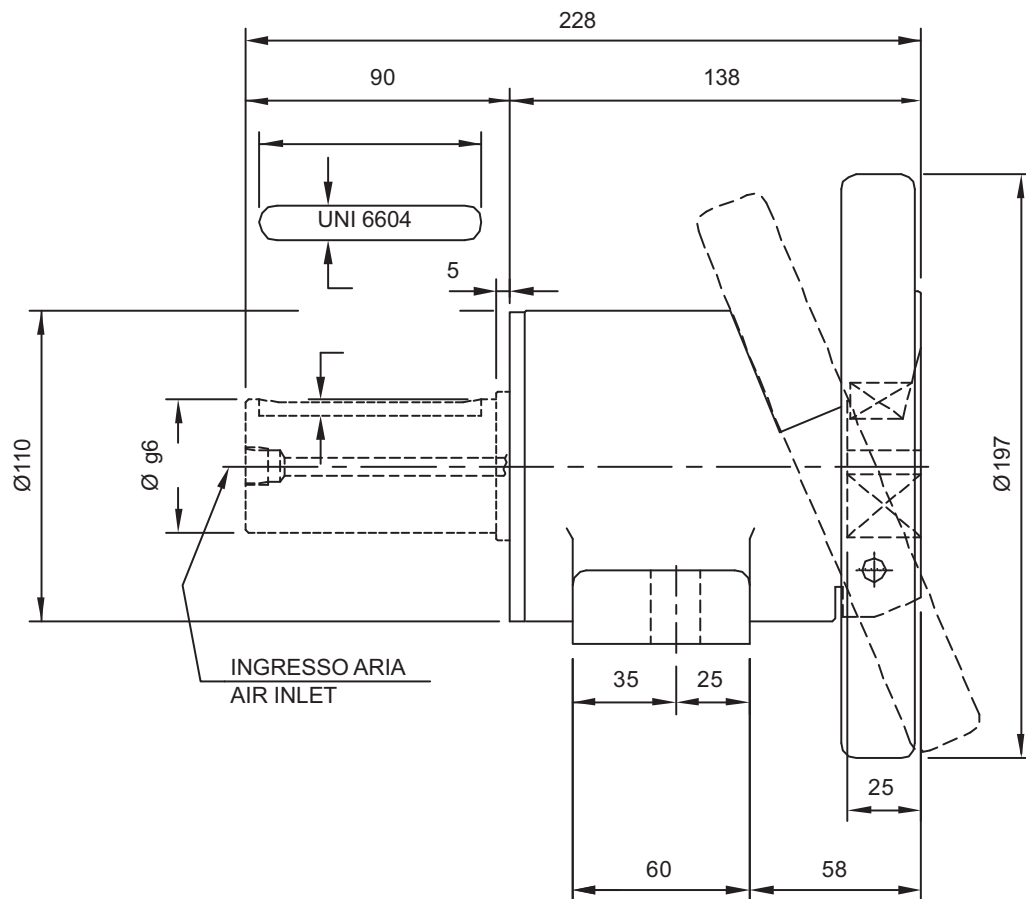
Expanding devices

SUPPORTO SAFETY CHUCK

Tipo
Type

910 KLAPP1 con alberino
with shaft extension

910 KLAPP0 senza alberino
without shaft extension

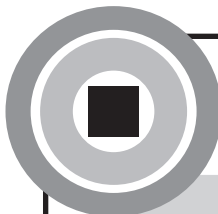


A richiesta - On request:

- Tipo Supporto
Safety Chuck Type _____
- Quadro
Square Socket _____
- Ø Alberino
Shaft diameter _____

Protezione in acciaio standard - Steel finger guards are standard

Portata Max Coppia Supporti Capacity per Pair	Max Torsione Trasmissibile Max Torque Transmissible	Velocità Massima Max Speed	Quadri Standard Square Standard Socket	Ø Alberino Standard Standard Shaft Diameter
15600 N	1000 N/M	600 RPM	□ 30 - □ 50	Ø 25 - Ø 45



SVECOM P.E.

Expanding devices

SUPPORTO SAFETY CHUCK

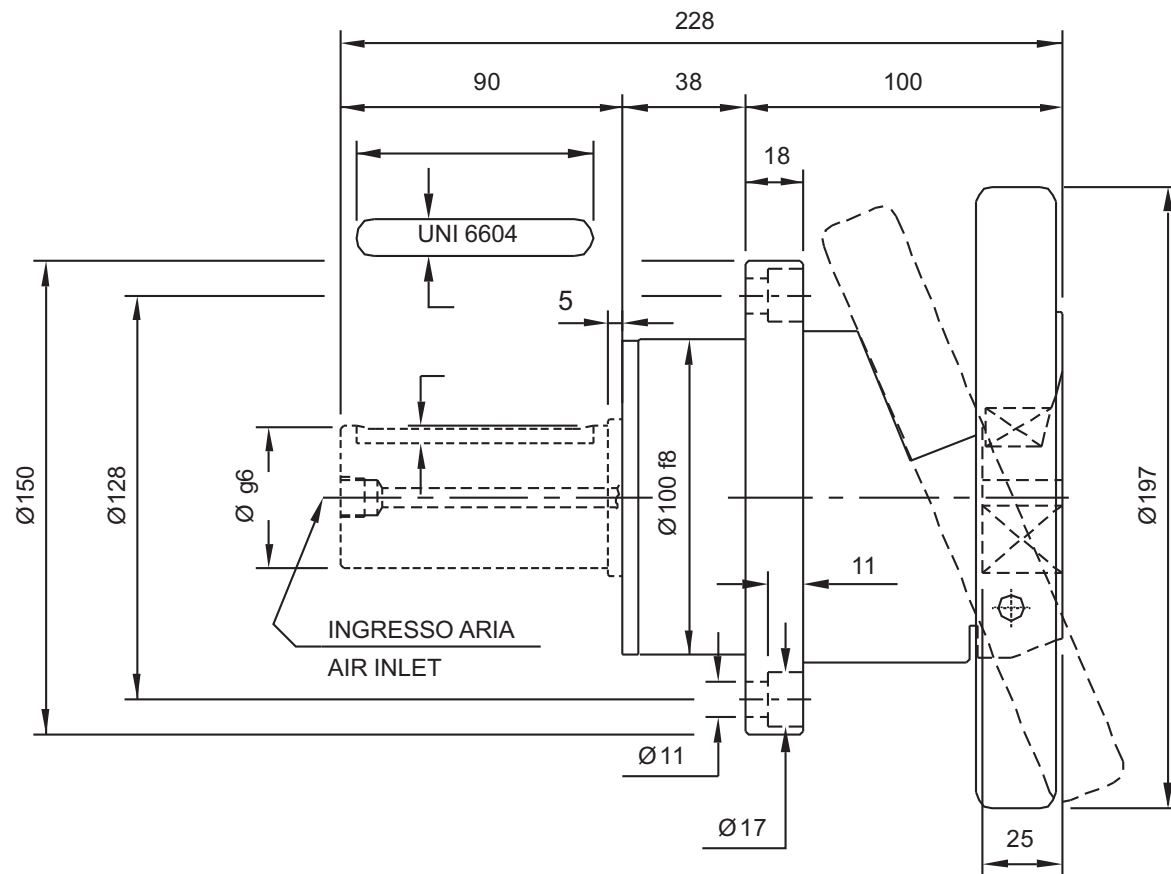
Tipo
Type

910 KLAPF1

con alberino
with shaft extension

910 KLAPF0

senza alberino
without shaft extension

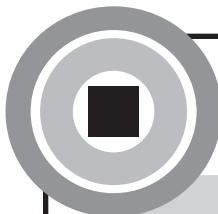


A richiesta - On request:

- Tipo Supporto
Safety Chuck Type _____
- Quadro
Square Socket _____
- \varnothing Alberino
Shaft diameter _____

Protezione in acciaio standard - Steel finger guards are standard

Portata Max Coppia Supporti Capacity per Pair	Max Torsione Trasmissibile Max Torque Transmissible	Velocità Massima Max Speed	Quadri Standard Square Standard Socket	\varnothing Alberino Standard Standard Shaft Diameter
15600 N	1000 N/M	600 RPM	$\square 30 - \square 50$	$\varnothing 25 - \varnothing 45$



SVECOM P.E.

Expanding devices

SUPPORTO SAFETY CHUCK

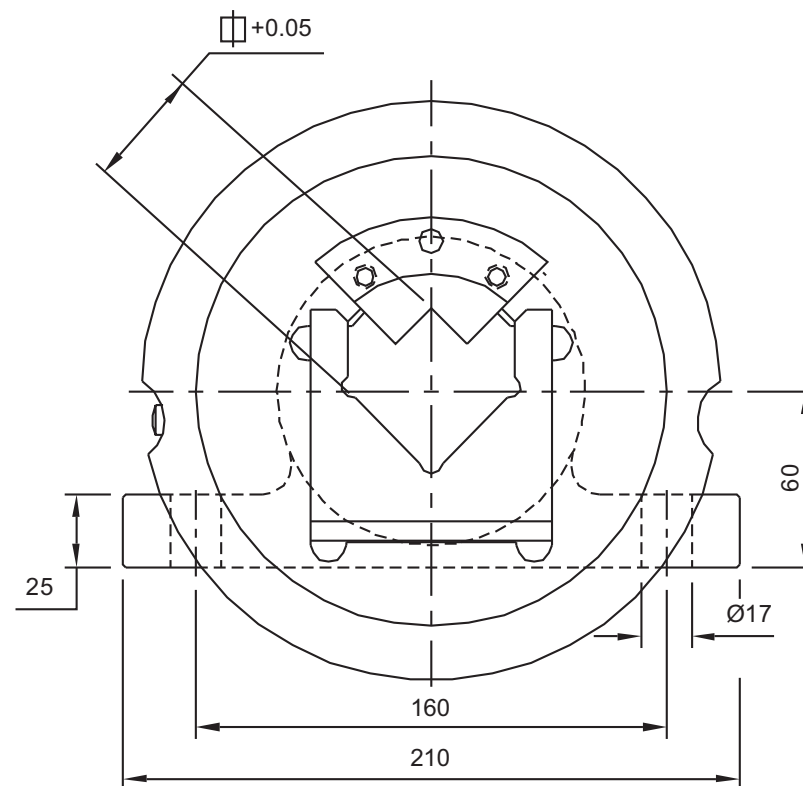
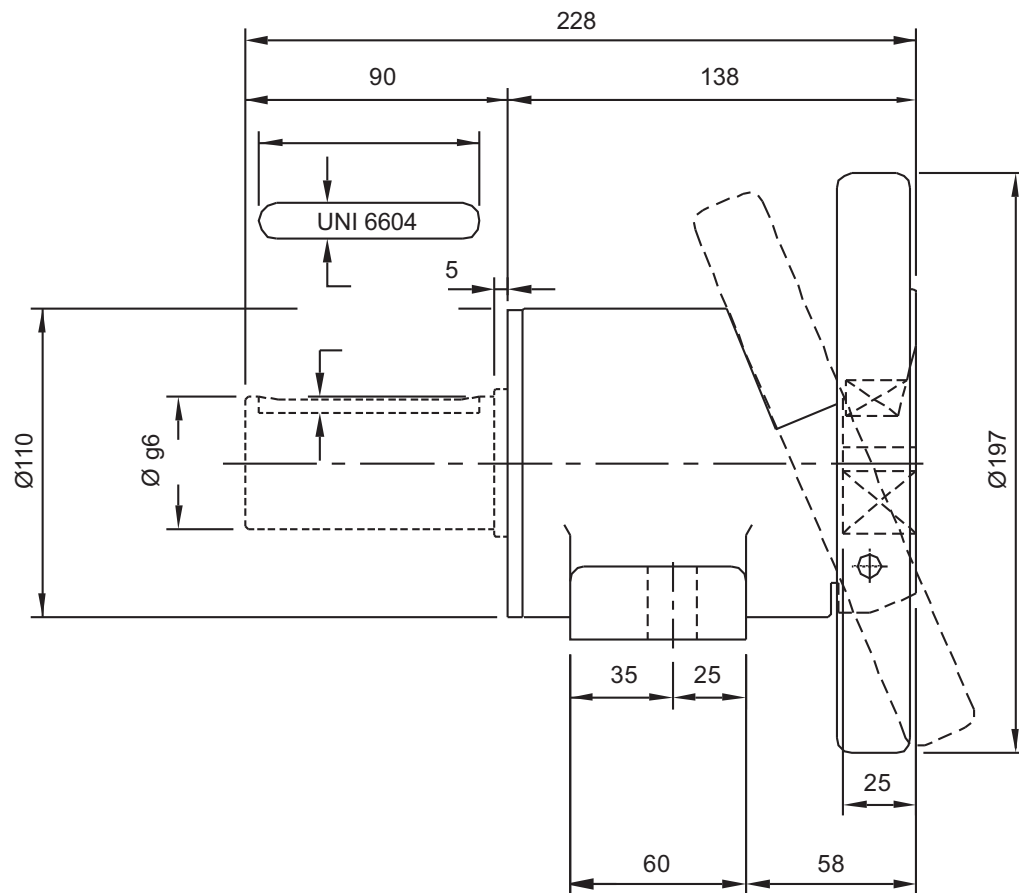
Tipo
Type

910 KLPP1

con alberino
with shaft extension

910 KLPP0

senza alberino
without shaft extension



A richiesta - On request:

- Tipo Supporto
Safety Chuck Type _____
- Quadro
Square Socket _____
- Ø Alberino
Shaft diameter _____

Protezione in acciaio standard - Steel finger guards are standard

Portata Max Coppia Supporti Capacity per Pair	Max Torsione Trasmissibile Max Torque Transmissible	Velocità Massima Max Speed	Quadri Standard Square Standard Socket	Ø Alberino Standard Standard Shaft Diameter
15600 N	1000 N/M	600 RPM	□ 30 - □ 40	Ø 45