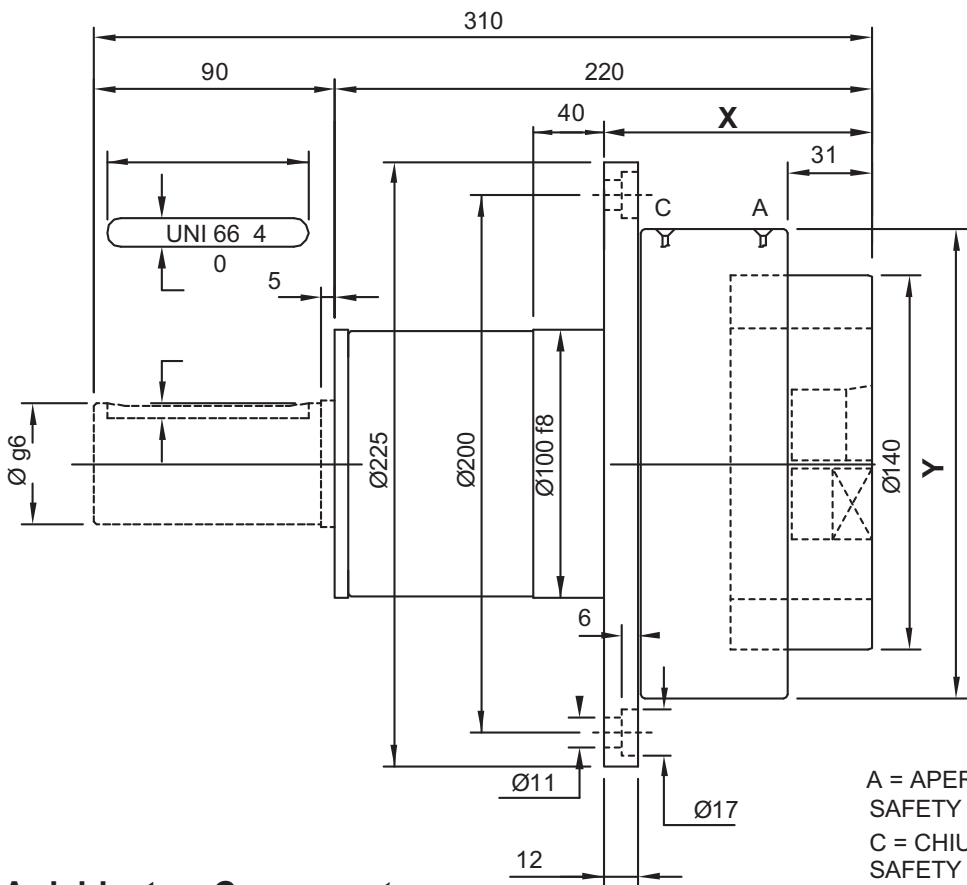


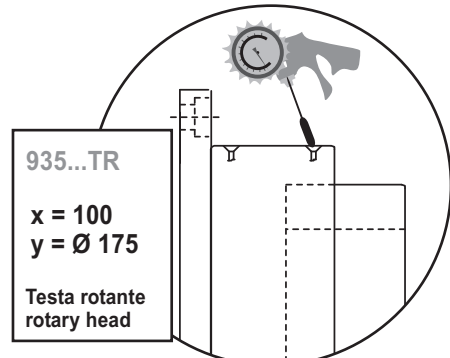
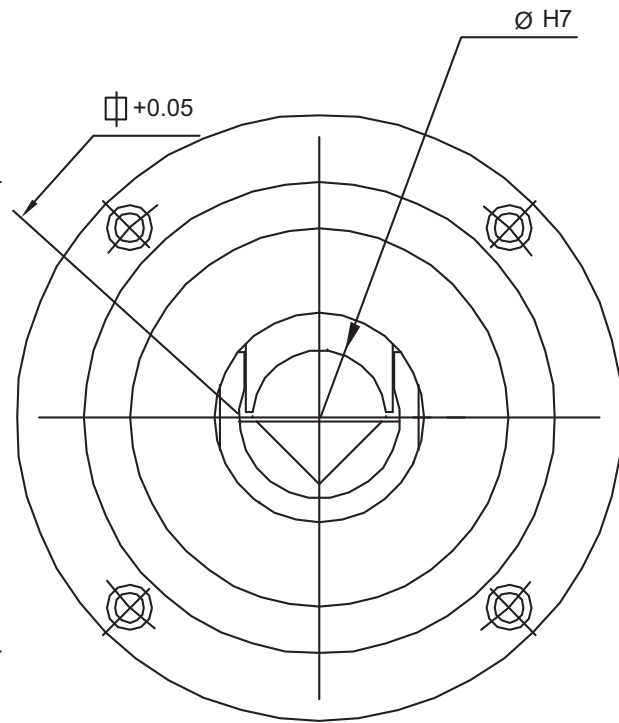
SVECOM P.E. SUPPORTO SAFETY CHUCK

Expanding devices

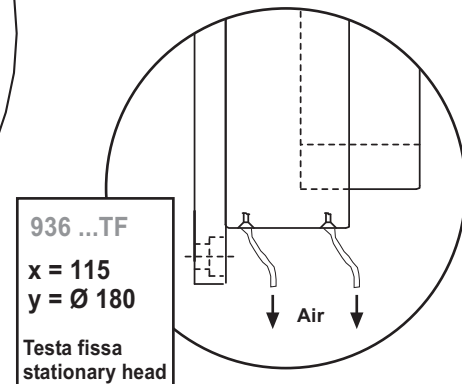
	Testa rotante / rotary head	Testa fissa / stationary head	con alberino with shaft extension
Tipo	935 PNLF1TR	936 PNLF1TF	
Type	935 PNLF0TR	936 PNLF0TF	senza alberino without shaft extension



A = APERTURA SUPPORTO
SAFETY CHUCK OPENING
C = CHIUSURA SUPPORTO
SAFETY CHUCK CLOSING



Gonfiaggio manuale
Manual inflate



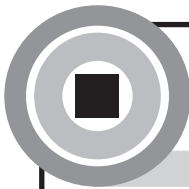
Gonfiaggio automatico
Automatic inflate

A richiesta - On request:

- Tipo Supporto
Safety Chuck Type _____
- Quadro
Square Socket _____
- Ø Alberino
Shaft diameter _____

Protezione in acciaio standard - Steel finger guards are standard

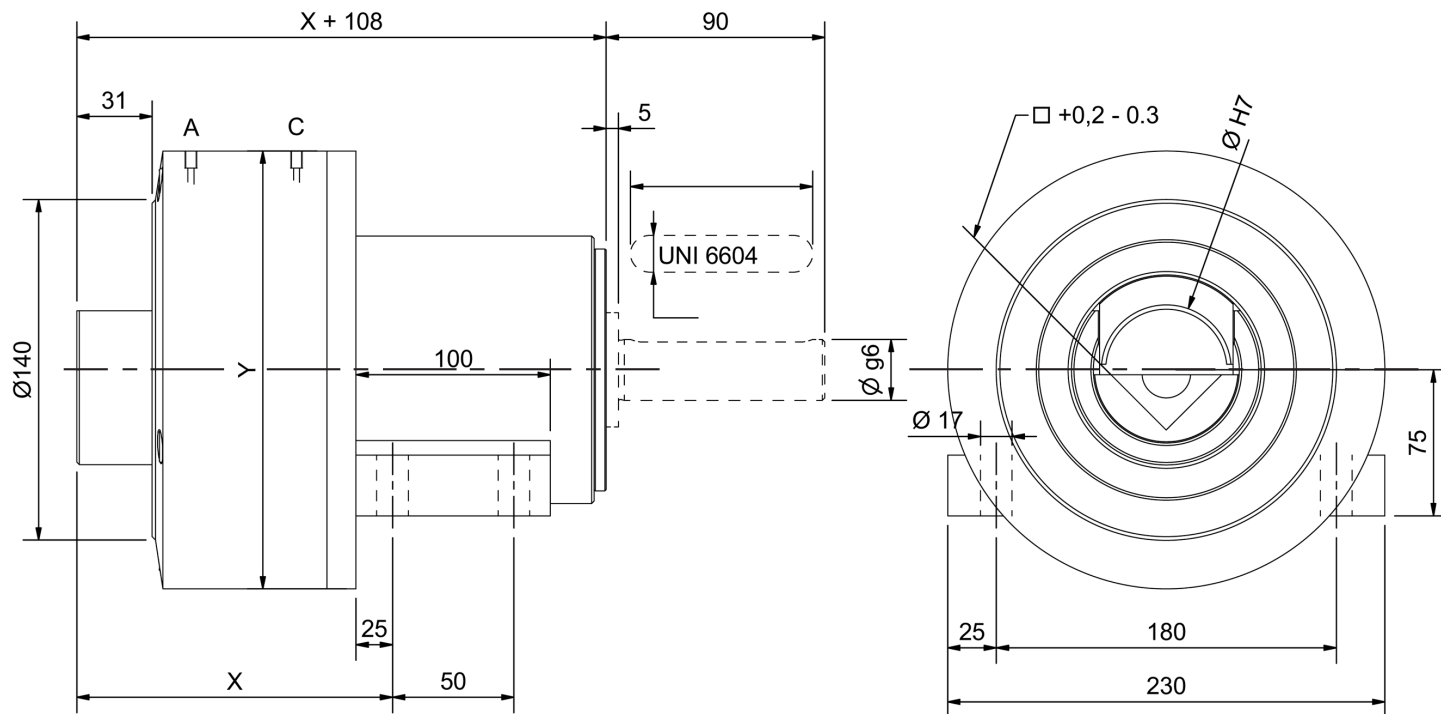
Portata Max Coppia Supporti Capacity per Pair	Max Torsione Trasmissibile Max Torque Transmissible	Velocità Massima Max Speed	Quadri Standard Square Standard Socket	Ø Alberino Standard Standard Shaft Diameter
15600 N	1000 N/M	1200 RPM	⌀ 35 - Ø 50	Ø 25 - Ø 45



SVECOM P.E. SUPPORTO SAFETY CHUCK

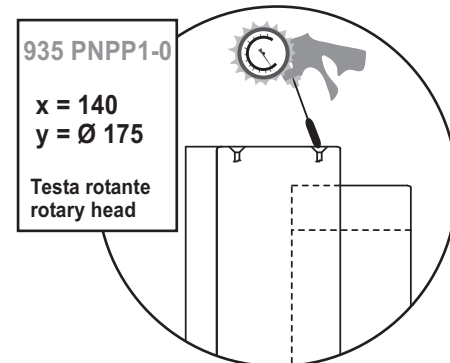
Expanding devices

	Testa rotante / rotary head	Testa fissa / stationary head	
Tipo	935 PNPP1TR	936 PNPP1TF	con alberino / with shaft extension
Type	935 PNPP0TR	936 PNPP0TF	senza alberino / without shaft extension



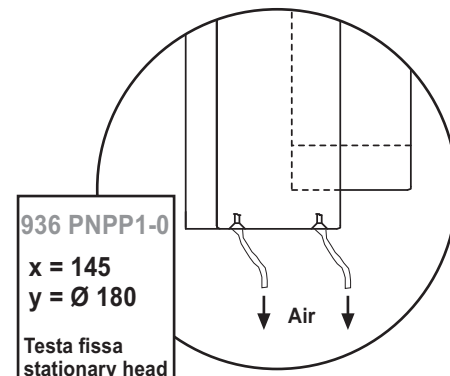
A = APERTURA SUPPORTO SAFETY CHUCK OPENING

C = CHIUSURA SUPPORTO SAFETY CHUCK CLOSING



935 PNPP1-0
 x = 140
 y = Ø 175
 Testa rotante / rotary head

Gonfiaggio manuale / Manual inflate



936 PNPP1-0
 x = 145
 y = Ø 180
 Testa fissa / stationary head

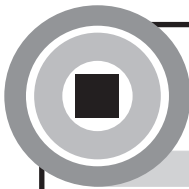
Gonfiaggio automatico / Automatic inflate

A richiesta - On request:

- Tipo Supporto / Safety Chuck Type _____
- Quadro / Square Socket _____
- Ø Alberino / Shaft diameter _____

Protezione in plastica standard - Plastic finger guard is standard

Portata Max Coppia Supporti Capacity per Pair	Max Torsione Trasmissibile Max Torque Transmissible	Velocità Massima Max Speed	Quadri Standard Square Standard Socket	Ø Alberino Standard Standard Shaft Diameter
30000 N	1300 N/M	1500 RPM	♁40 - Ø 55	Ø 30 - Ø 50



SVECOM P.E. SUPPORTO SAFETY CHUCK

Expanding devices

Testa rotante / rotary head

Testa fissa / stationary head

Tipo **935 PNPf1TR**

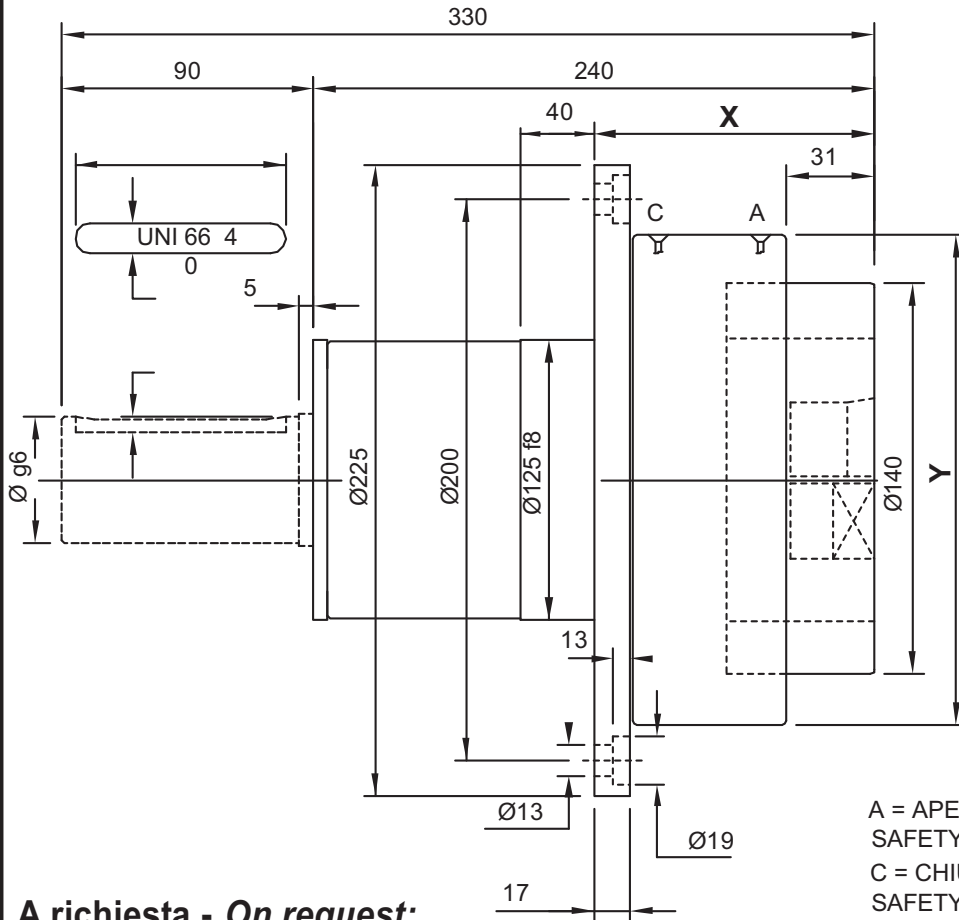
936 PNPf1TF

con alberino
with shaft extension

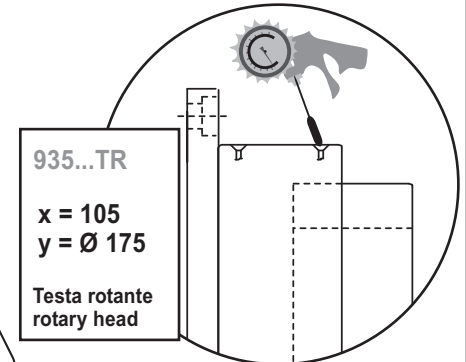
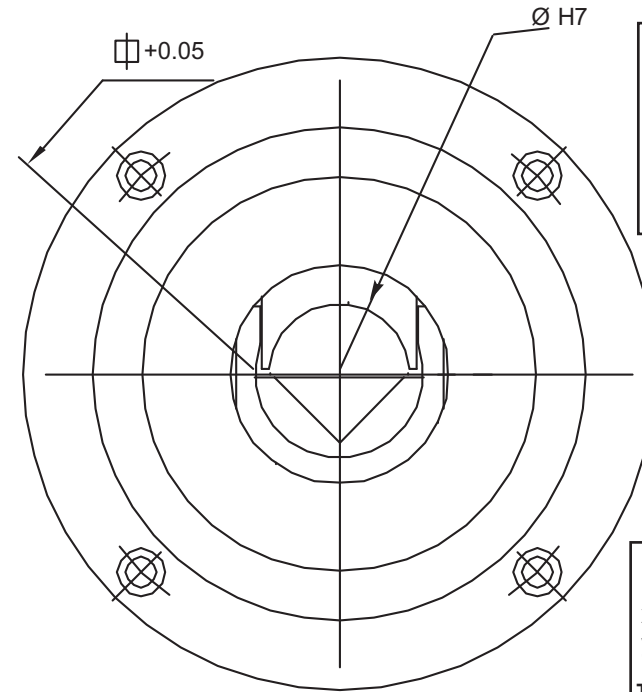
Type **935 PNPf0TR**

936 PNPf0TF

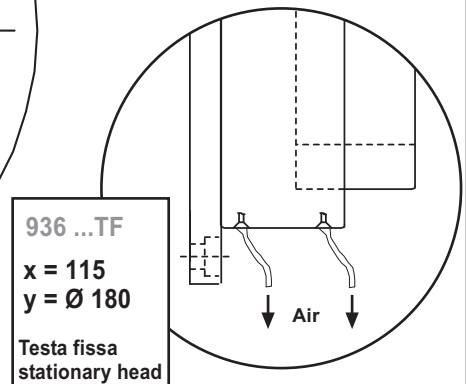
senza alberino
without shaft extension



A = APERTURA SUPPORTO
SAFETY CHUCK OPENING
C = CHIUSURA SUPPORTO
SAFETY CHUCK CLOSING



Gonfiaggio manuale
Manual inflate



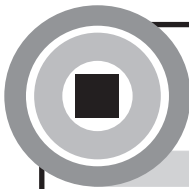
Gonfiaggio automatico
Automatic inflate

A richiesta - On request:

- Tipo Supporto
Safety Chuck Type _____
- Quadro
Square Socket _____
- Ø Alberino
Shaft diameter _____

Protezione in acciaio standard - Steel finger guards are standard

Portata Max Coppia Supporti Capacity per Pair	Max Torsione Trasmissibile Max Torque Transmissible	Velocità Massima Max Speed	Quadri Standard Square Standard Socket	Ø Alberino Standard Standard Shaft Diameter
30000 N	1300 N/M	1500 RPM	⌀40 - Ø 55	Ø 30 - Ø 50



SVECOM P.E. SUPPORTO SAFETY CHUCK

Expanding devices

Testa rotante / rotary head

Testa fissa / stationary head

Tipo **935 PNLP1TR**

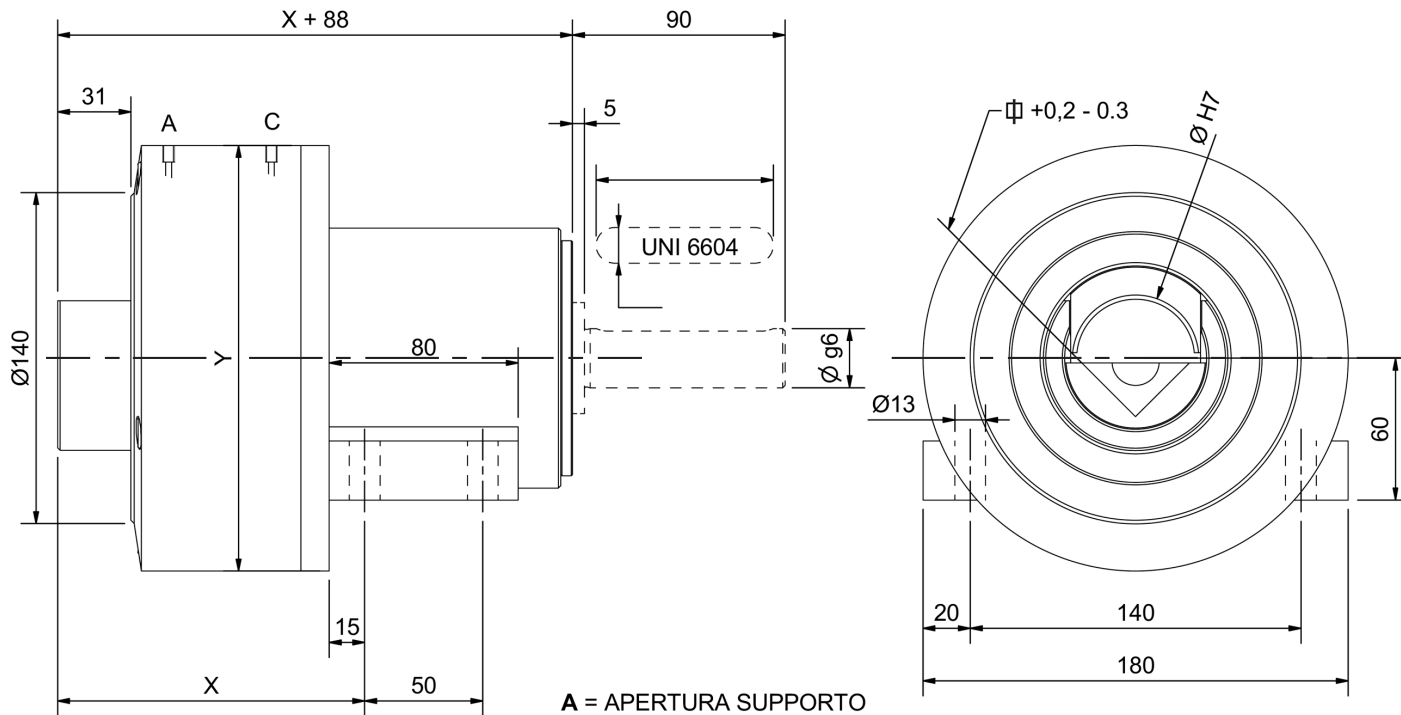
936 PNLP1TF

con alberino
with shaft extension

Type **935 PNLP0TR**

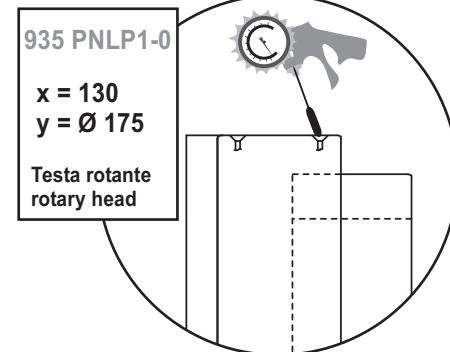
936 PNLP0TF

senza alberino
without shaft extension



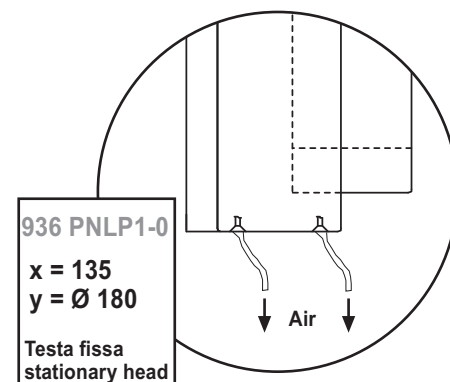
A = APERTURA SUPPORTO
SAFETY CHUCK OPENING

C = CHIUSURA SUPPORTO
SAFETY CHUCK CLOSING



935 PNLP1-0
x = 130
y = Ø 175
Testa rotante
rotary head

Gonfiaggio manuale
Manual inflate



936 PNLP1-0
x = 135
y = Ø 180
Testa fissa
stationary head

Gonfiaggio automatico
Automatic inflate

A richiesta - On request:

- Tipo Supporto
Safety Chuck Type _____
- Quadro
Square Socket _____
- Ø Alberino
Shaft diameter _____

Protezione in plastica standard - Plastic finger guard is standard

Portata Max Coppia Supporti Capacity per Pair	Max Torsione Trasmissibile Max Torque Transmissible	Velocità Massima Max Speed	Quadri Standard Square Standard Socket	Ø Alberino Standard Standard Shaft Diameter
15600 N	1000 N/M	1200 RPM	Ø35 - Ø 50	Ø 25 - Ø 45