

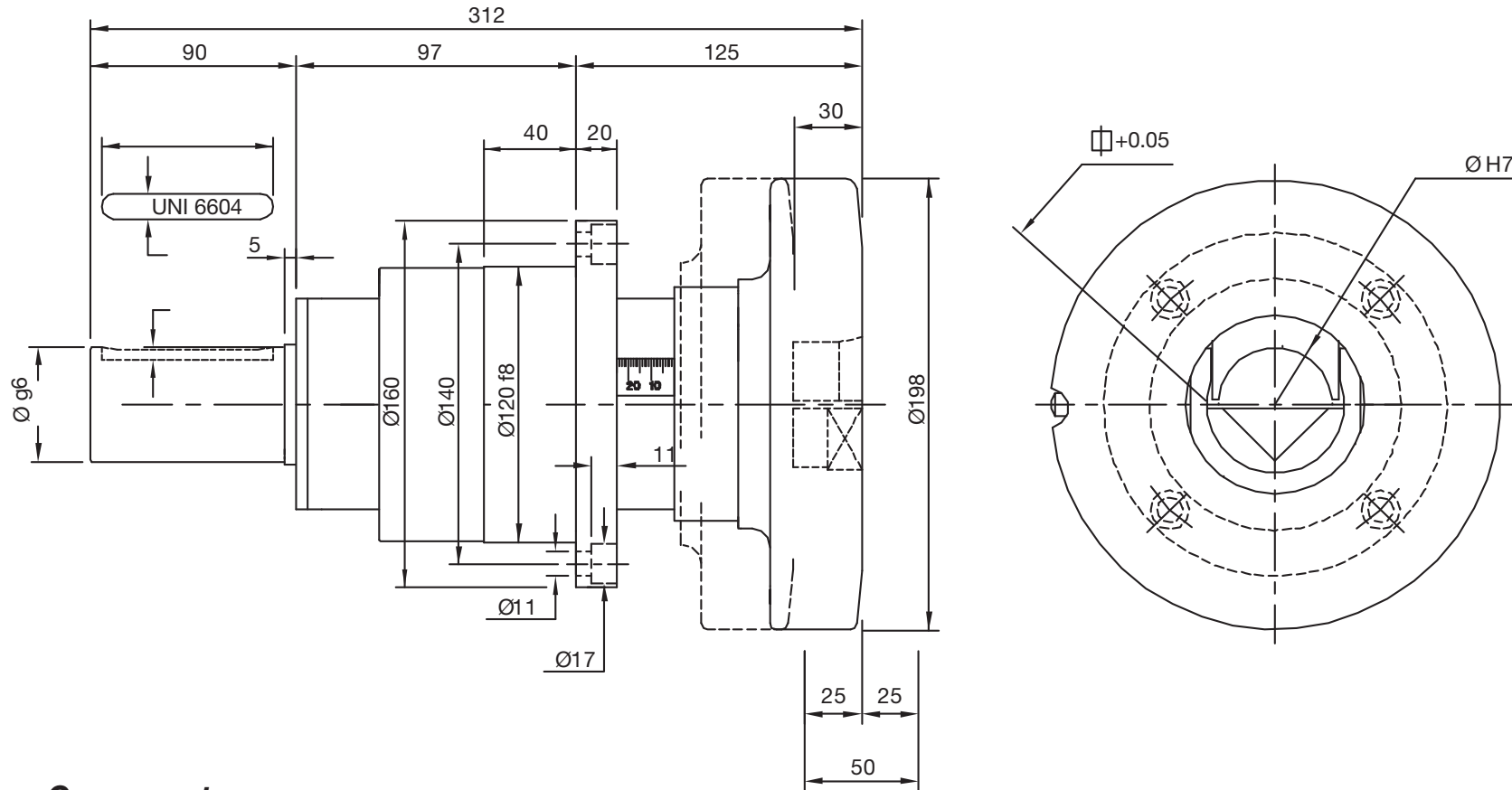


**SVECOM P.E.**  
Web site: www.svecom.com

# SUPPORTO SAFETY CHUCK

Tipo  
Type

**950 KLLF1** con alberino  
with shaft extension

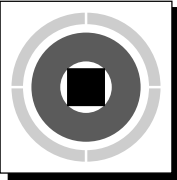


**A richiesta - On request:**

- Tipo Supporto  
Safety Chuck Type \_\_\_\_\_
- Quadro  
Square Socket \_\_\_\_\_
- Ø Alberino  
Shaft diameter \_\_\_\_\_

**Protezione in plastica standard - Plastic finger guards are standard**

Portata Max Coppia Supporti Capacity per Pair	Max Torsione Trasmissibile Max Torque Transmissible	Velocità Massima Max Speed	Quadri Standard Square Standard Socket	Ø Alberino Standard Standard Shaft Diameter
15600 N	1000 N/M	1200 RPM	⌀ 30 - Ø 42 ⌀ 35 - Ø 50	Ø 25 - Ø 45



**SVECOM P.E.**

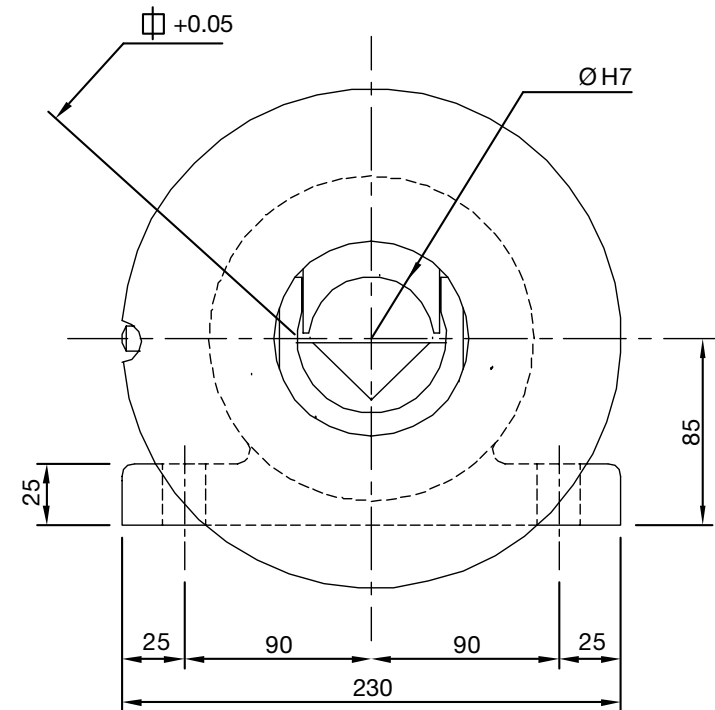
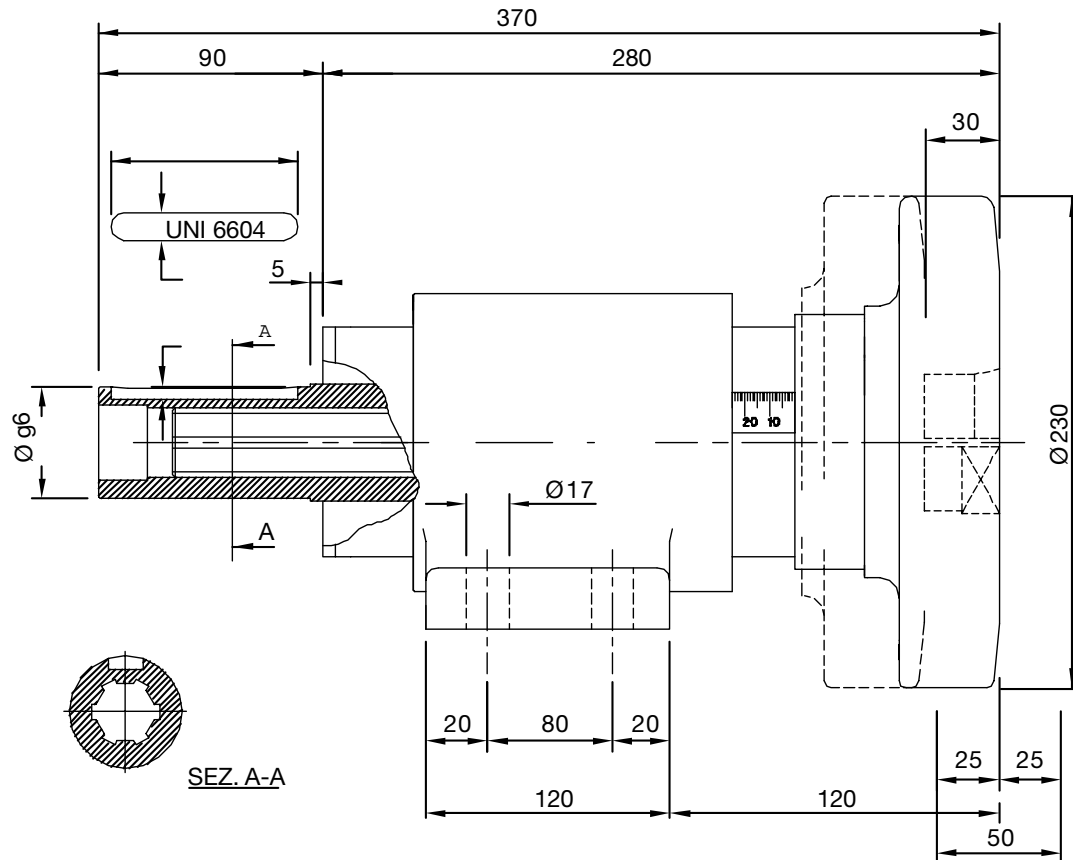
Web site: [www.svecom.com](http://www.svecom.com)

# SUPPORTO SAFETY CHUCK

Tipo  
Type

**950 KLSP1**

con alberino  
with shaft extension

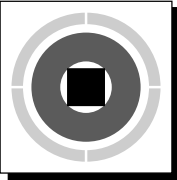


**A richiesta - On request:**

- Tipo Supporto  
Safety Chuck Type \_\_\_\_\_
- Quadro  
Square Socket \_\_\_\_\_
- $\varnothing$  Alberino  
Shaft diameter \_\_\_\_\_

**Protezione in plastica standard - Plastic finger guards are standard**

Portata Max Coppia Supporti Capacity per Pair	Max Torsione Trasmissibile Max Torque Transmissible	Velocità Massima Max Speed	Quadri Standard Square Standard Socket	$\varnothing$ Alberino Standard Standard Shaft Diameter
30000 N	1300 N/M	1500 RPM	$\varnothing 40 - \varnothing 55$	$\varnothing 50$



**SVECOM P.E.**

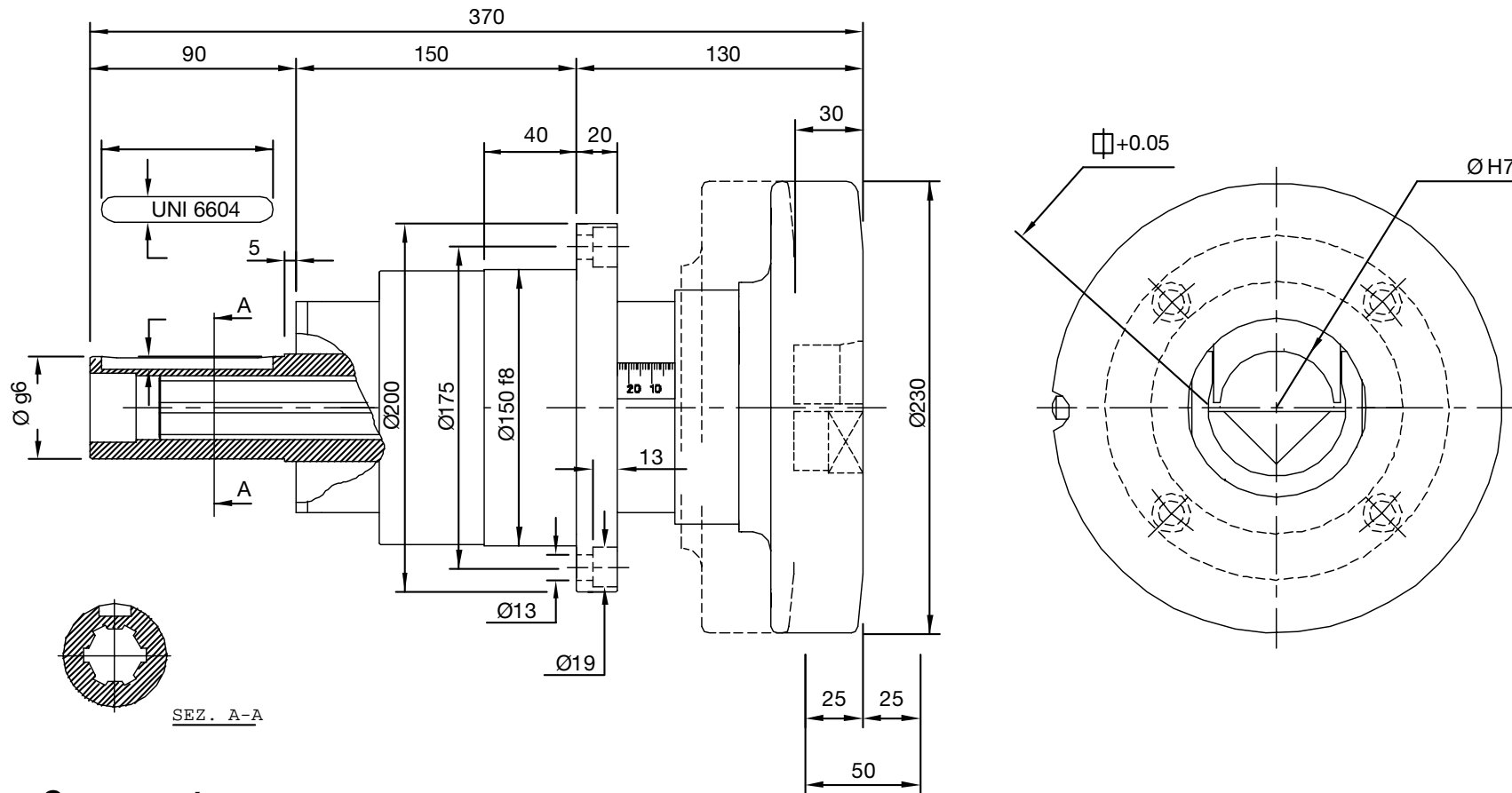
Web site: [www.svecom.com](http://www.svecom.com)

# SUPPORTO SAFETY CHUCK

Tipo  
Type

**950 KLSPF1**

con alberino  
with shaft extension

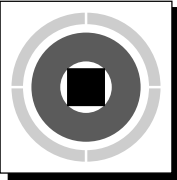


**A richiesta - On request:**

- Tipo Supporto  
Safety Chuck Type \_\_\_\_\_
- Quadro  
Square Socket \_\_\_\_\_
- Ø Alberino  
Shaft diameter \_\_\_\_\_

**Protezione in plastica standard - Plastic finger guards are standard**

Portata Max Coppia Supporti Capacity per Pair	Max Torsione Trasmissibile Max Torque Transmissible	Velocità Massima Max Speed	Quadri Standard Square Standard Socket	Ø Alberino Standard Standard Shaft Diameter
30000 N	1300 N/M	1500 RPM	⌀ 40 - Ø 55	Ø 50



**SVECOM P.E.**

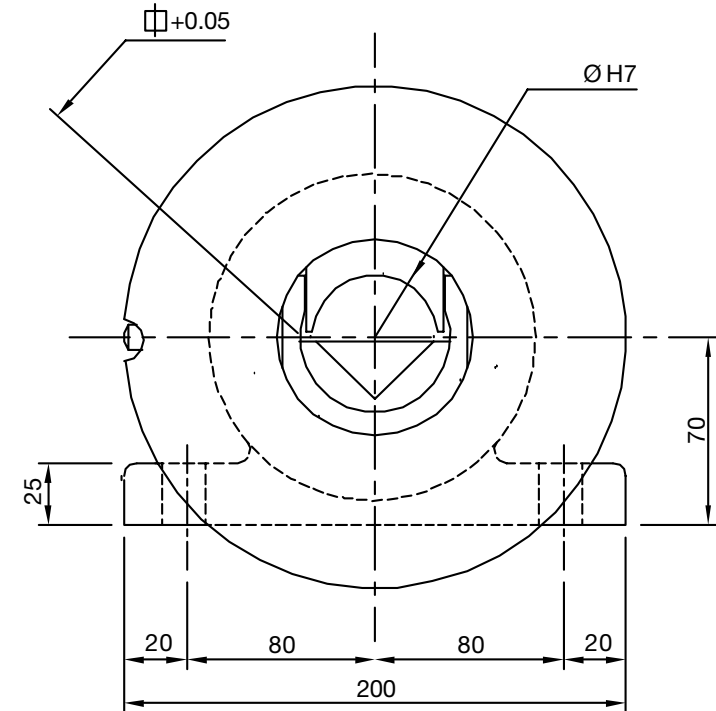
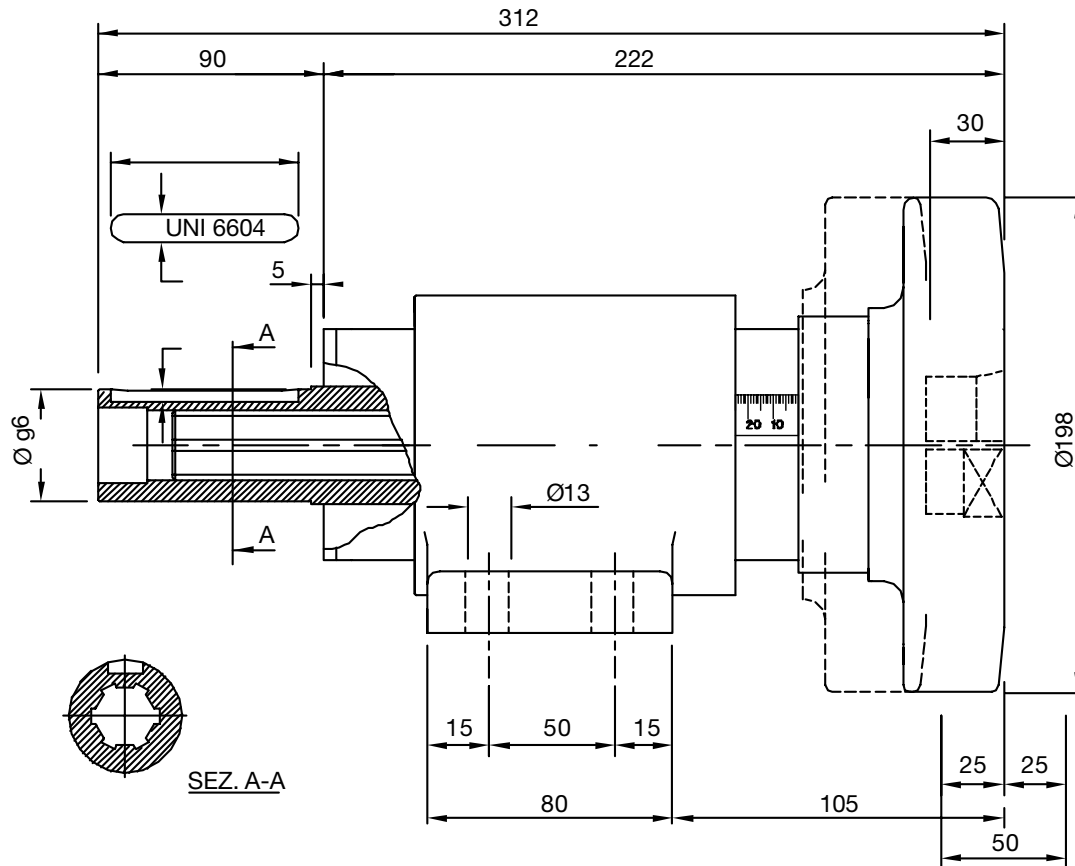
Web site: [www.svecom.com](http://www.svecom.com)

# SUPPORTO SAFETY CHUCK

Tipo  
Type

**950 KLSP1**

con alberino  
with shaft extension

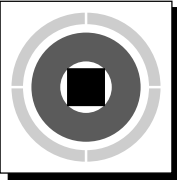


**A richiesta - On request:**

- Tipo Supporto  
Safety Chuck Type \_\_\_\_\_
- Quadro  
Square Socket \_\_\_\_\_
- $\varnothing$  Alberino  
Shaft diameter \_\_\_\_\_

**Protezione in plastica standard - Plastic finger guards are standard**

Portata Max Coppia Supporti Capacity per Pair	Max Torsione Trasmissibile Max Torque Transmissible	Velocità Massima Max Speed	Quadri Standard Square Standard Socket	$\varnothing$ Alberino Standard Standard Shaft Diameter
15600 N	1000 N/M	1200 RPM	$\varnothing 30 - \varnothing 50$	$\varnothing 45$



**SVECOM P.E.**

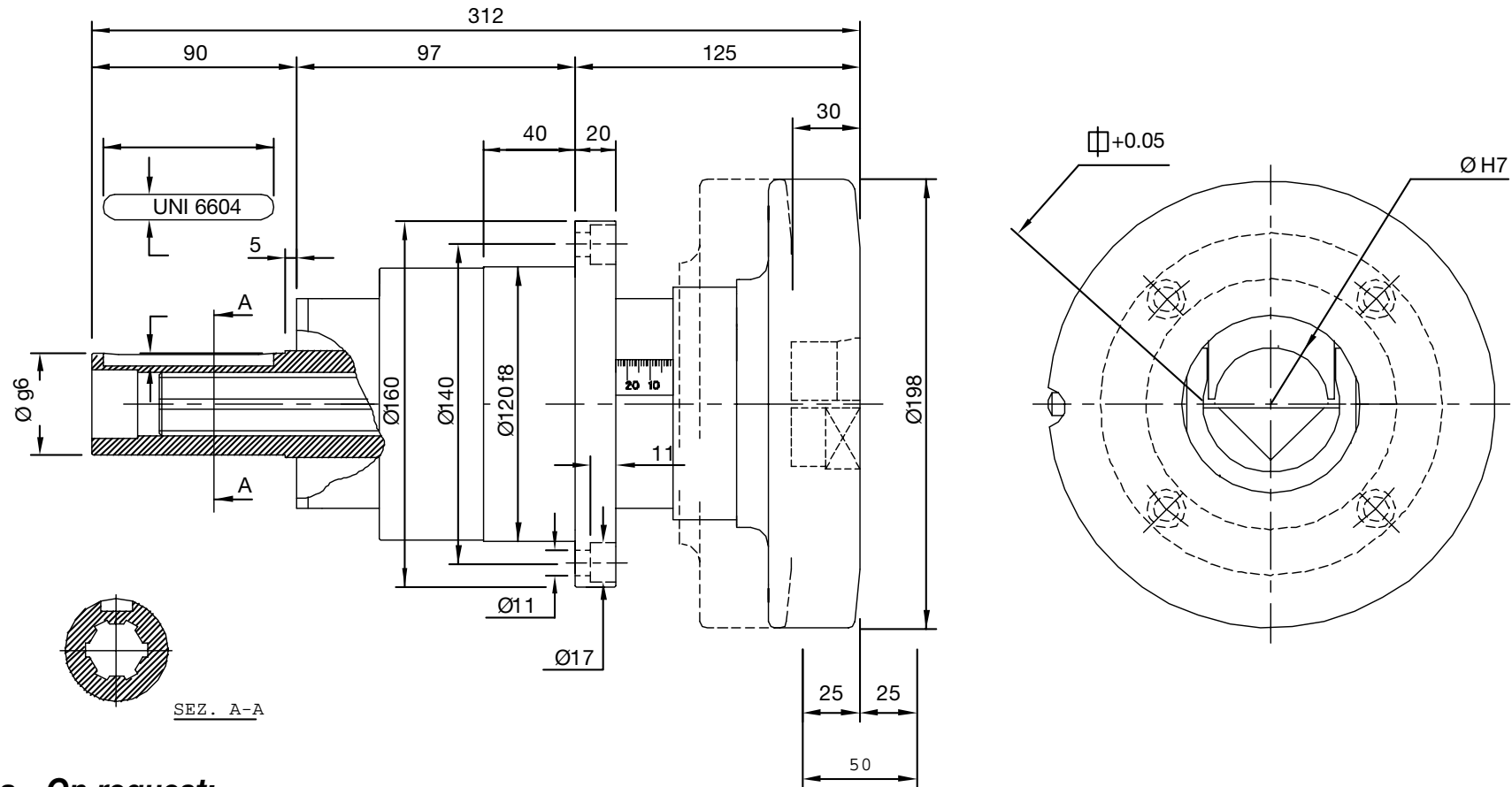
Web site: [www.svecom.com](http://www.svecom.com)

# SUPPORTO SAFETY CHUCK

Tipo  
Type

**950 KLSLF1**

con alberino  
with shaft extension



**A richiesta - On request:**

- Tipo Supporto  
Safety Chuck Type \_\_\_\_\_
- Quadro  
Square Socket \_\_\_\_\_
- Ø Alberino  
Shaft diameter \_\_\_\_\_

**Protezione in plastica standard - Plastic finger guards are standard**

Portata Max Coppia Supporti Capacity per Pair	Max Torsione Trasmissibile Max Torque Transmissible	Velocità Massima Max Speed	Quadri Standard Square Standard Socket	Ø Alberino Standard Standard Shaft Diameter
15600 N	1000 N/M	1200 RPM	⌀ 30 - Ø 50	Ø 45



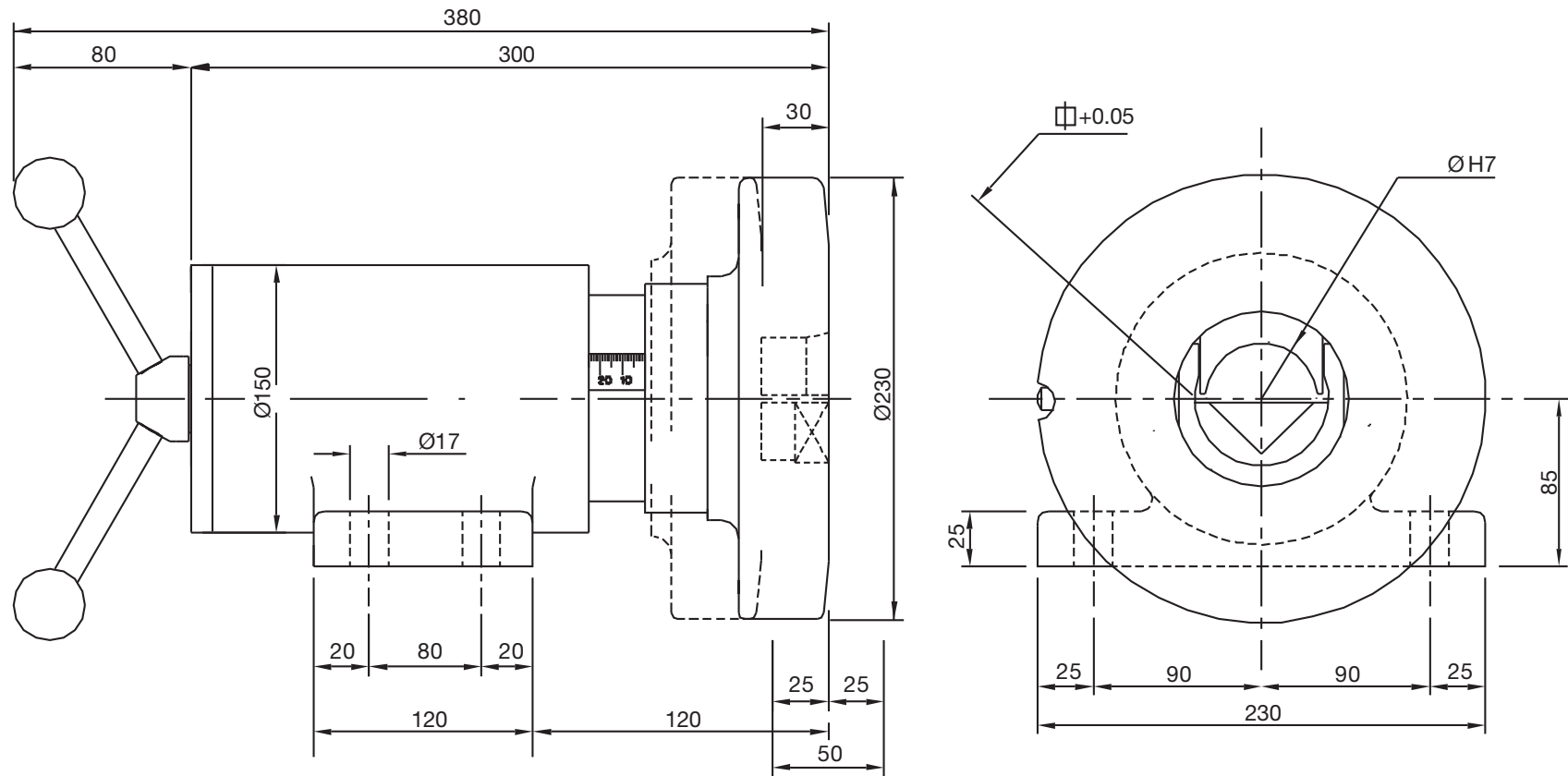
**SVECOM P.E.**

Web site: [www.svecom.com](http://www.svecom.com)

# SUPPORTO SAFETY CHUCK

Tipo  
Type

**950 KLPP2** con volantino  
with handwheel



**A richiesta - On request:**

- Tipo Supporto  
Safety Chuck Type \_\_\_\_\_
- Quadro  
Square Socket \_\_\_\_\_
- Ø Alberino  
Shaft diameter \_\_\_\_\_

**Protezione in plastica standard - Plastic finger guards are standard**

Portata Max Coppia Supporti Capacity per Pair	Max Torsione Trasmissibile Max Torque Transmissible	Velocità Massima Max Speed	Quadri Standard Square Standard Socket
30000 N	1300 N/M	1500 RPM	□ 40 - Ø 55



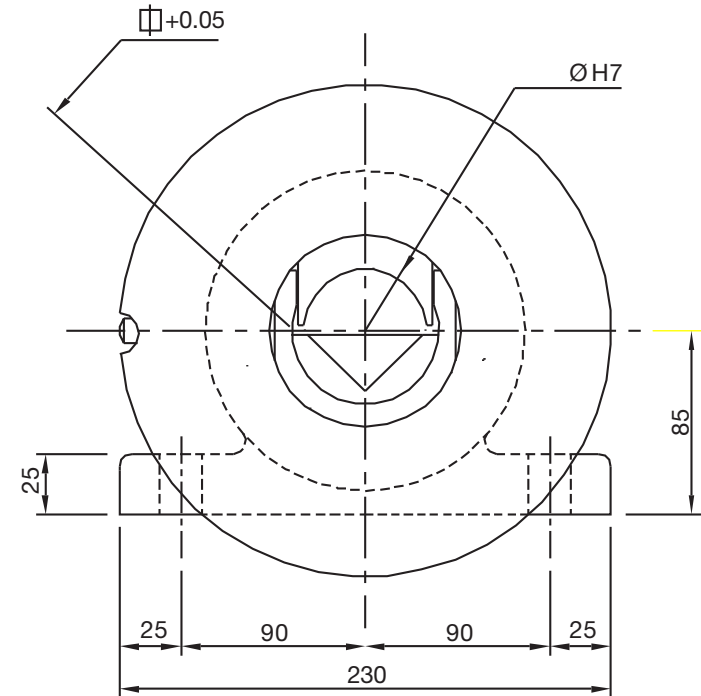
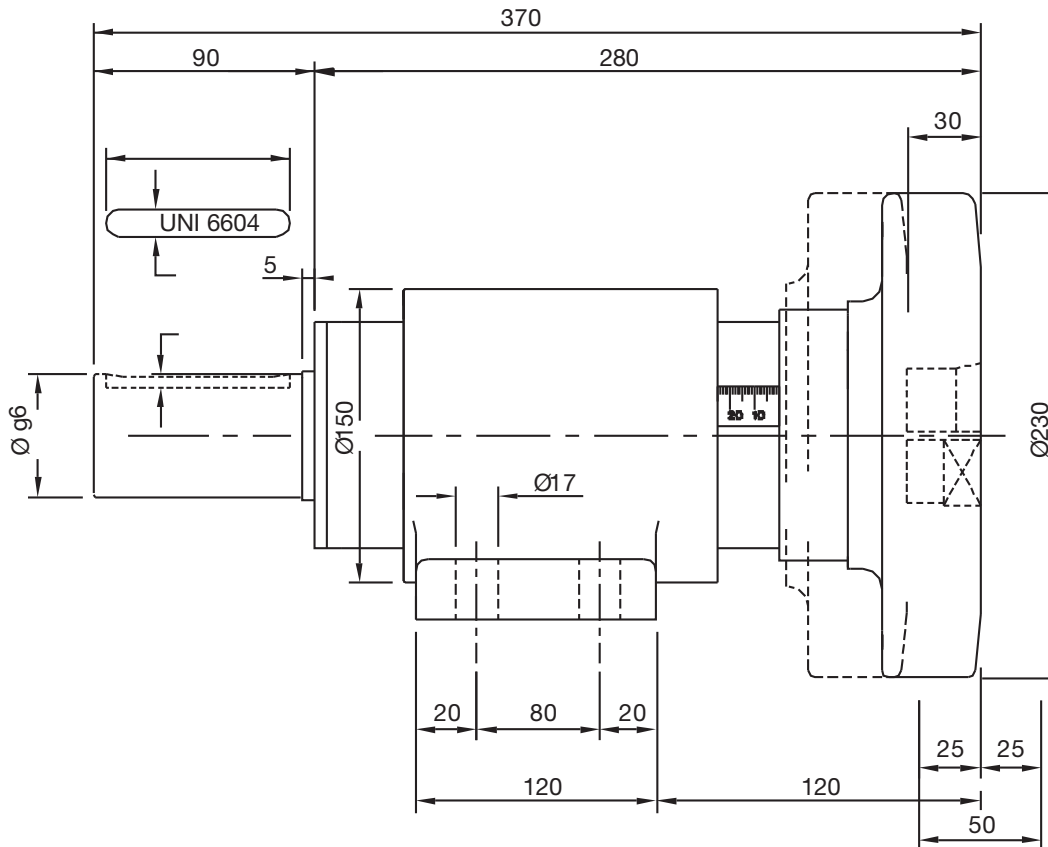
**SVECOM P.E.**

Web site: [www.svecom.com](http://www.svecom.com)

# SUPPORTO SAFETY CHUCK

Tipo  
Type

**950 KLPP1** con alberino  
with shaft extension



**A richiesta - On request:**

- Tipo Supporto  
Safety Chuck Type \_\_\_\_\_
- Quadro  
Square Socket \_\_\_\_\_
- Ø Alberino  
Shaft diameter \_\_\_\_\_

**Protezione in plastica standard - Plastic finger guards are standard**

Portata Max Coppia Supporti Capacity per Pair	Max Torsione Trasmissibile Max Torque Transmissible	Velocità Massima Max Speed	Quadri Standard Square Standard Socket	Ø Alberino Standard Standard Shaft Diameter
30000 N	1300 N/M	1500 RPM	⌀ 40 - Ø 55	Ø 30 - Ø 50



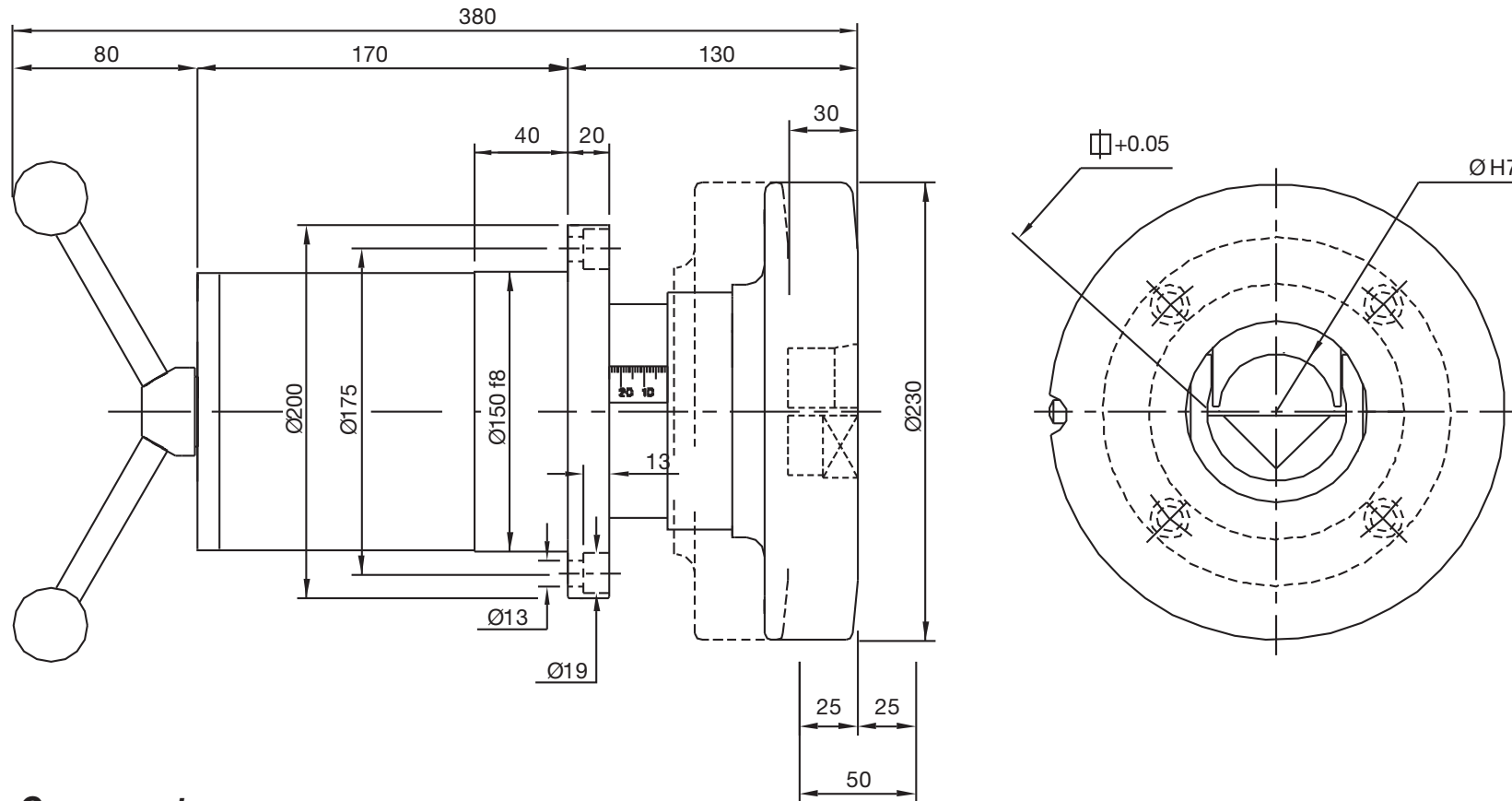
**SVECOM P.E.**

Web site: [www.svecom.com](http://www.svecom.com)

# SUPPORTO SAFETY CHUCK

Tipo  
Type

**950 KLPF2** con volantino  
with handwheel



**A richiesta - On request:**

- Tipo Supporto  
Safety Chuck Type \_\_\_\_\_
- Quadro  
Square Socket \_\_\_\_\_
- Ø Alberino  
Shaft diameter \_\_\_\_\_

**Protezione in plastica standard - Plastic finger guards are standard**

Portata Max Coppia Supporti Capacity per Pair	Max Torsione Trasmissibile Max Torque Transmissible	Velocità Massima Max Speed	Quadri Standard Square Standard Socket
30000 N	1300 N/M	1500 RPM	□ 40 - Ø 55





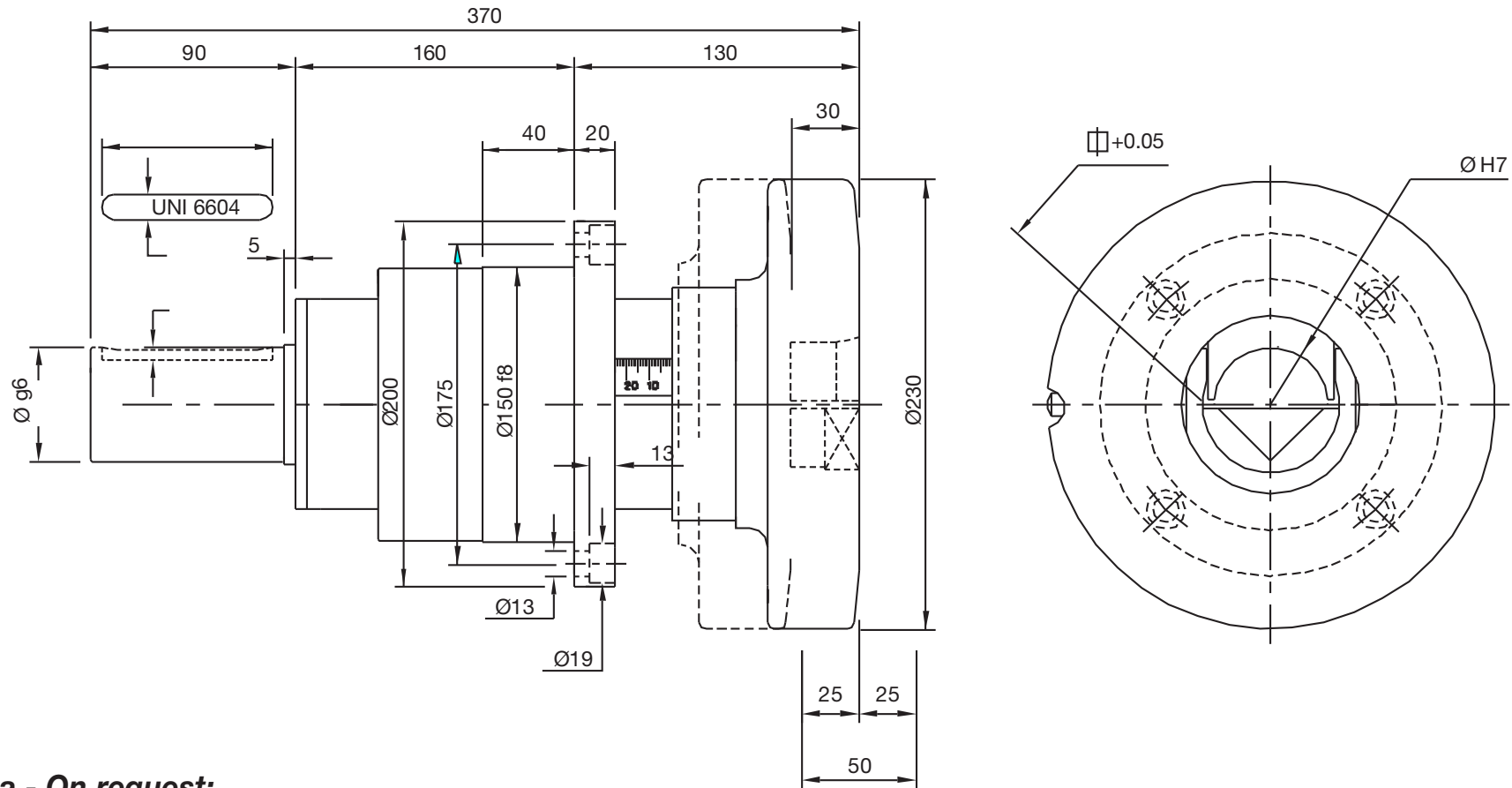
**SVECOM P.E.**

Web site: [www.svecom.com](http://www.svecom.com)

# SUPPORTO SAFETY CHUCK

Tipo  
Type

**950 KLPF1** con alberino  
with shaft extension



**A richiesta - On request:**

- Tipo Supporto  
Safety Chuck Type \_\_\_\_\_
- Quadro  
Square Socket \_\_\_\_\_
- Ø Alberino  
Shaft diameter \_\_\_\_\_

**Protezione in plastica standard - Plastic finger guards are standard**

Portata Max Coppia Supporti Capacity per Pair	Max Torsione Trasmissibile Max Torque Transmissible	Velocità Massima Max Speed	Quadri Standard Square Standard Socket	Ø Alberino Standard Standard Shaft Diameter
30000 N	1300 N/M	1500 RPM	⌀ 40 - Ø 55	Ø 30 - Ø 50



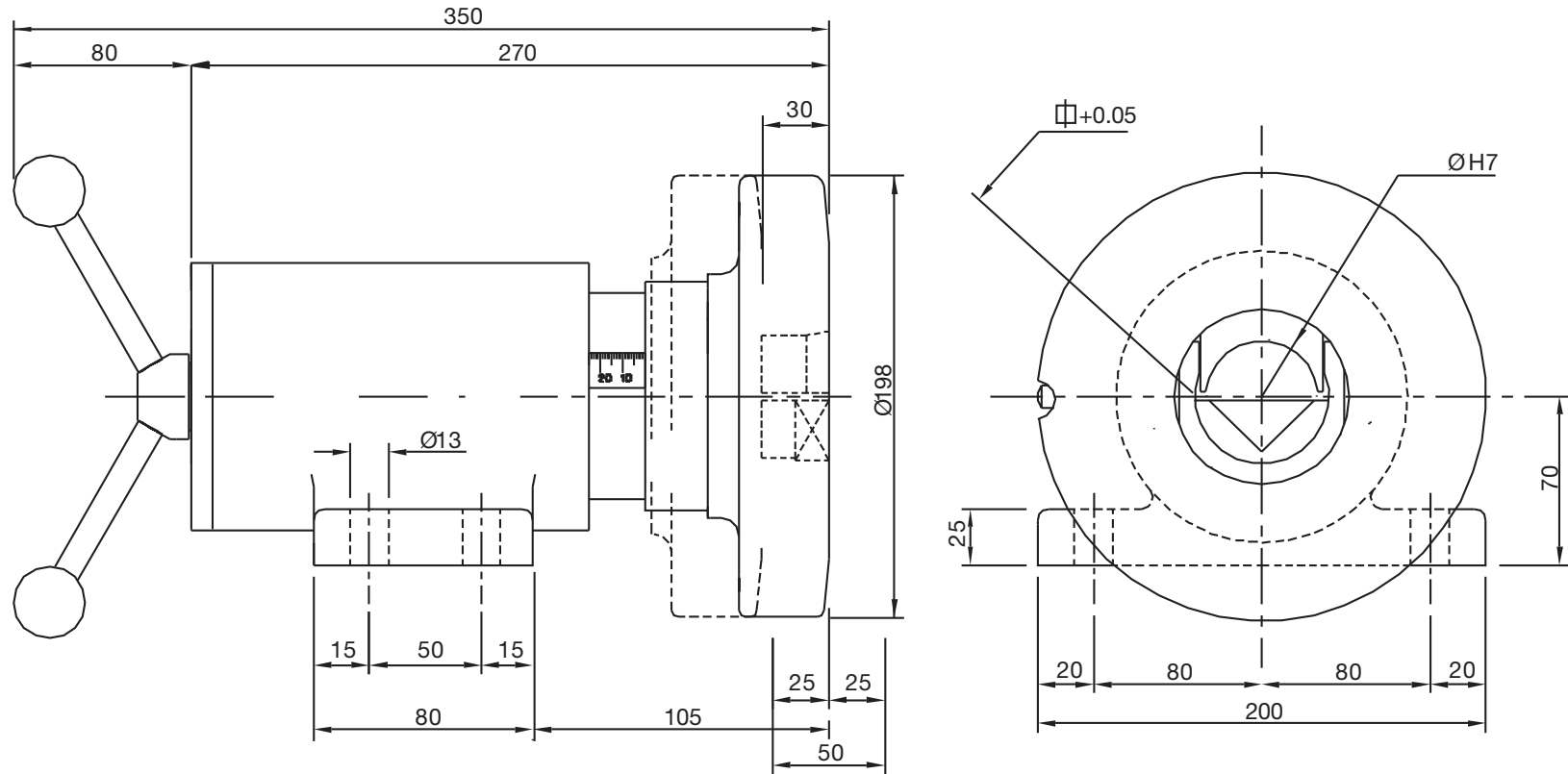
**SVECOM P.E.**

Web site: [www.svecom.com](http://www.svecom.com)

# SUPPORTO SAFETY CHUCK

Tipo  
Type

**950 KLLP2** con volantino  
with handwheel



**A richiesta - On request:**

- Tipo Supporto  
Safety Chuck Type \_\_\_\_\_
- Quadro  
Square Socket \_\_\_\_\_
- $\varnothing$  Alberino  
Shaft diameter \_\_\_\_\_

**Protezione in plastica standard - Plastic finger guards are standard**

Portata Max Coppia Supporti Capacity per Pair	Max Torsione Trasmissibile Max Torque Transmissible	Velocità Massima Max Speed	Quadri Standard Square Standard Socket
15600 N	1000 N/M	1200 RPM	$\square 30 - \varnothing 42 \quad \square 35 - \varnothing 50$



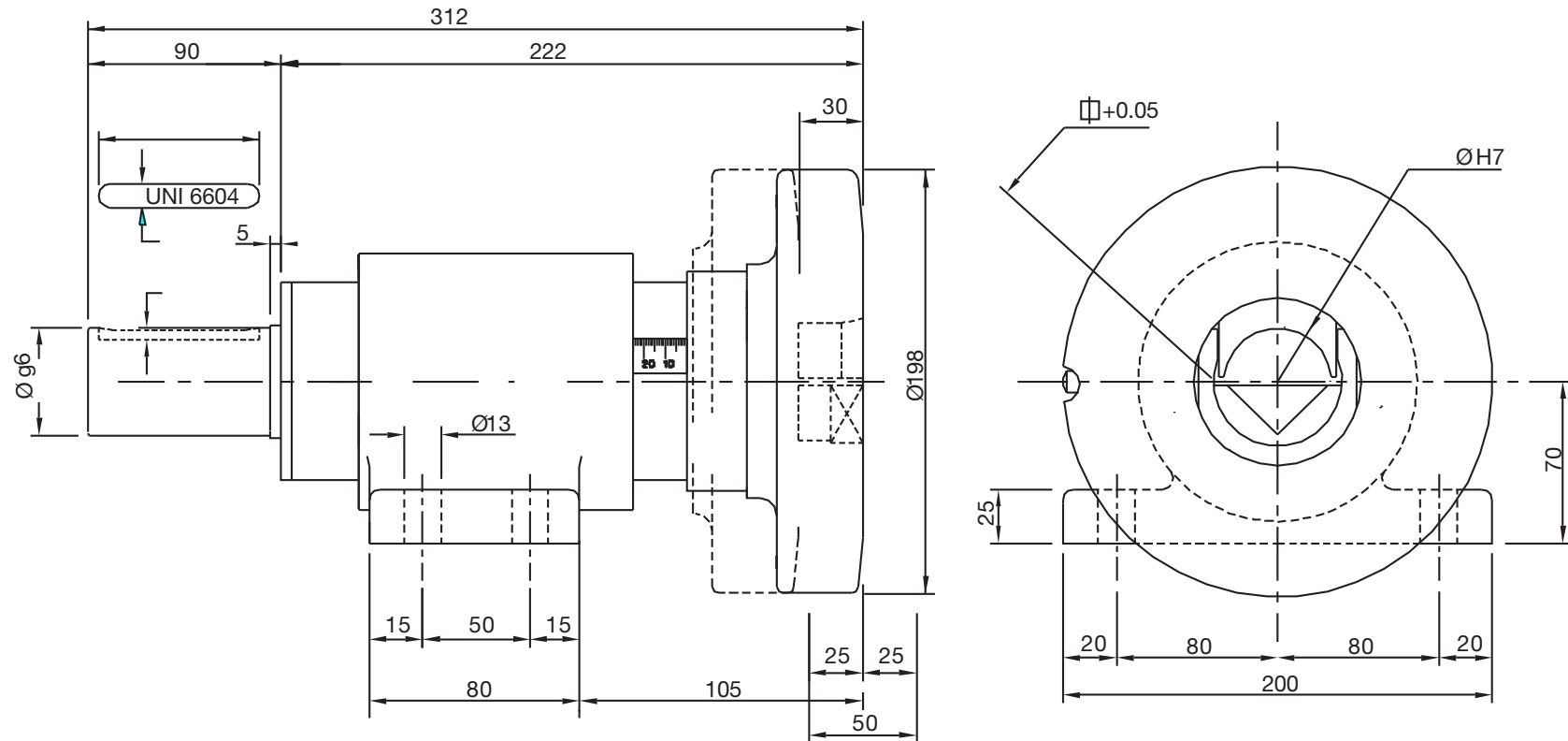
**SVECOM P.E.**

Web site: [www.svecom.com](http://www.svecom.com)

# SUPPORTO SAFETY CHUCK

Tipo  
Type

**950 KLLP1** con alberino  
with shaft extension



**A richiesta - On request:**

- Tipo Supporto  
Safety Chuck Type \_\_\_\_\_
- Quadro  
Square Socket \_\_\_\_\_
- Ø Alberino  
Shaft diameter \_\_\_\_\_

**Protezione in plastica standard - Plastic finger guards are standard**

Portata Max Coppia Supporti Capacity per Pair	Max Torsione Trasmissibile Max Torque Transmissible	Velocità Massima Max Speed	Quadri Standard Square Standard Socket	Ø Alberino Standard Standard Shaft Diameter
15600 N	1000 N/M	1200 RPM	□ 30 - Ø 42 □ 35 - Ø 50	Ø 25 - Ø 45



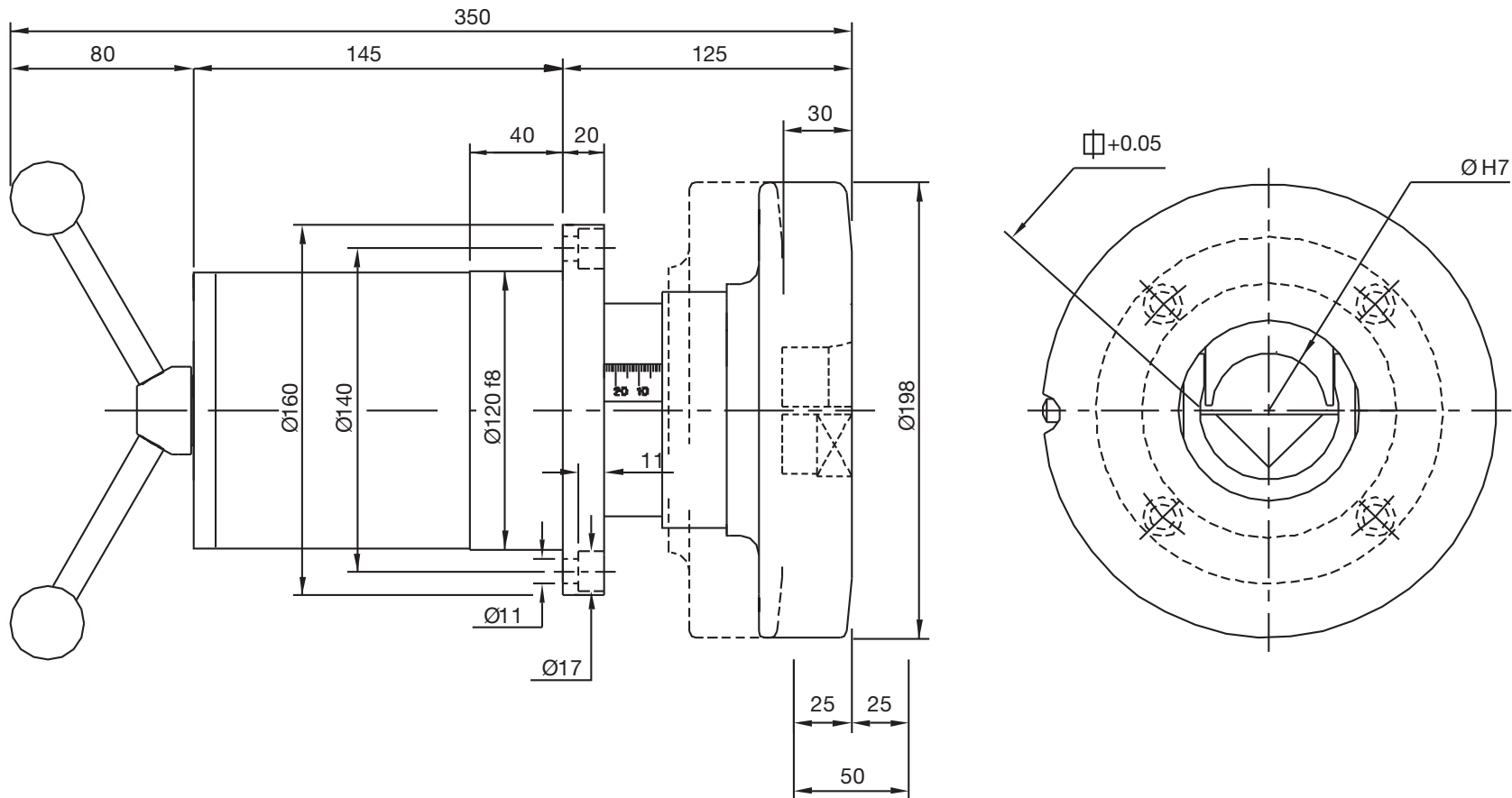
**SVECOM P.E.**

Web site: [www.svecom.com](http://www.svecom.com)

# SUPPORTO SAFETY CHUCK

Tipo  
Type

**950 KLLF2** con volantino  
with handwheel



**A richiesta - On request:**

- Tipo Supporto  
Safety Chuck Type \_\_\_\_\_
- Quadro  
Square Socket \_\_\_\_\_
- Ø Alberino  
Shaft diameter \_\_\_\_\_

**Protezione in plastica standard - Plastic finger guards are standard**

Portata Max Coppia Supporti Capacity per Pair	Max Torsione Trasmissibile Max Torque Transmissible	Velocità Massima Max Speed	Quadri Standard Square Standard Socket
15600 N	1000 N/M	1200 RPM	□ 30 - Ø 42 □ 35 - Ø 50