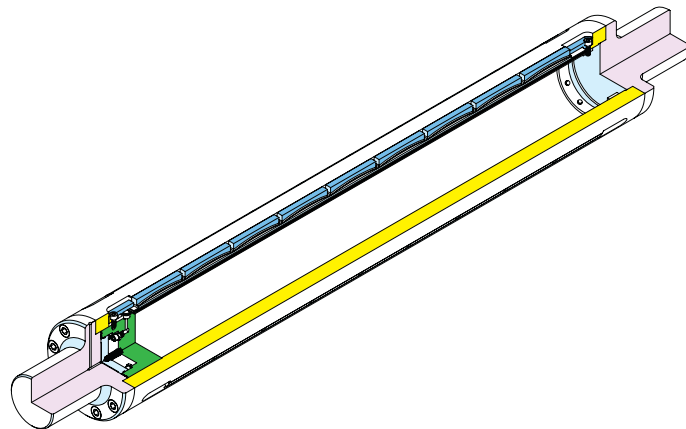
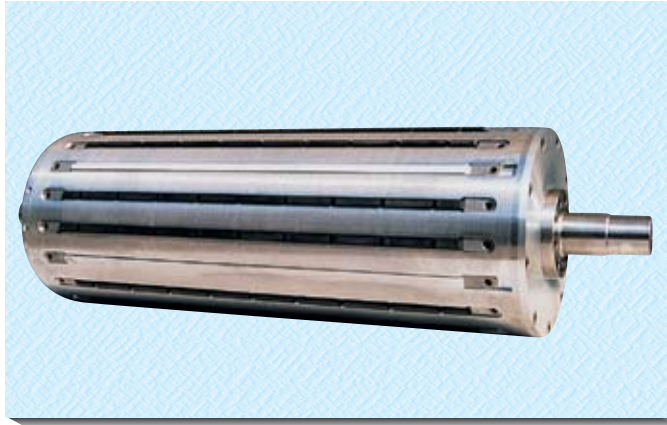


# PNEUMATIC SELF- EXPANDING SHAFTS WITH LEDGES



The 640/PQL shaft grants a perfect unwind and rewind with cores at high linear speeds. It is equipped with the tested SVECOM self-centering air system, with metal centering ledges and rubber gripping ledges. It can be used for all types of cores, multiple rolls and larger diameter requirements. The shaft body is available in a variety of steels and light alloys. The journal ends are also available in a variety of steels and are always custom made. Expansion is obtained by a system of inflatable tubes that are located beneath each row of expandors. Tube changes are quick and easy, accomplished without journal removal.

Standard sizes available for this Model are listed below, but are available in other sizes for a custom order.

Contact your SVECOM representative for details.

## TECHNICAL FEATURES\*

Core diameter	from 70 to 300 mm
Shaft length	up to 9000 mm
Expansion range	8 mm
Air pressure	min. 5 bar (suggested 6 bar)



	steel				alu construction			
	70/76	100	120	150	70/76	100	120	150
Core diameter in mm	70/76	100	120	150	70/76	100	120	150
Number of lugs on circumference	6	6	8	9	6	6	8	9
Max carrying capacity per chuck in N	13000	19000	34000	38000	7000	12000	22000	30000
Max torque in Nm with cardboard cores	4,5	7	10	15	4,5	7	10	15
Max torque in Nm with steel cores	4,7	7.5	11	17	4,7	7.5	11	17
Shaft weight (without journals) in N/cm	1,9	2,6	3,2	5,5	1	1,4	1,8	2,4

\*Contact your SVECOM representative for Non-Standard requirements.