



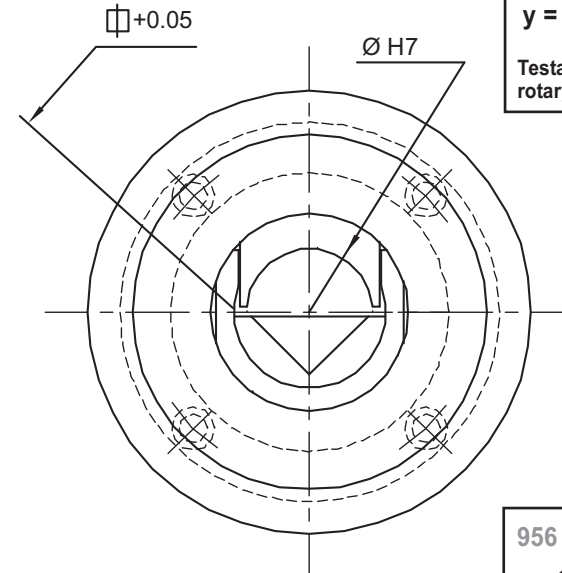
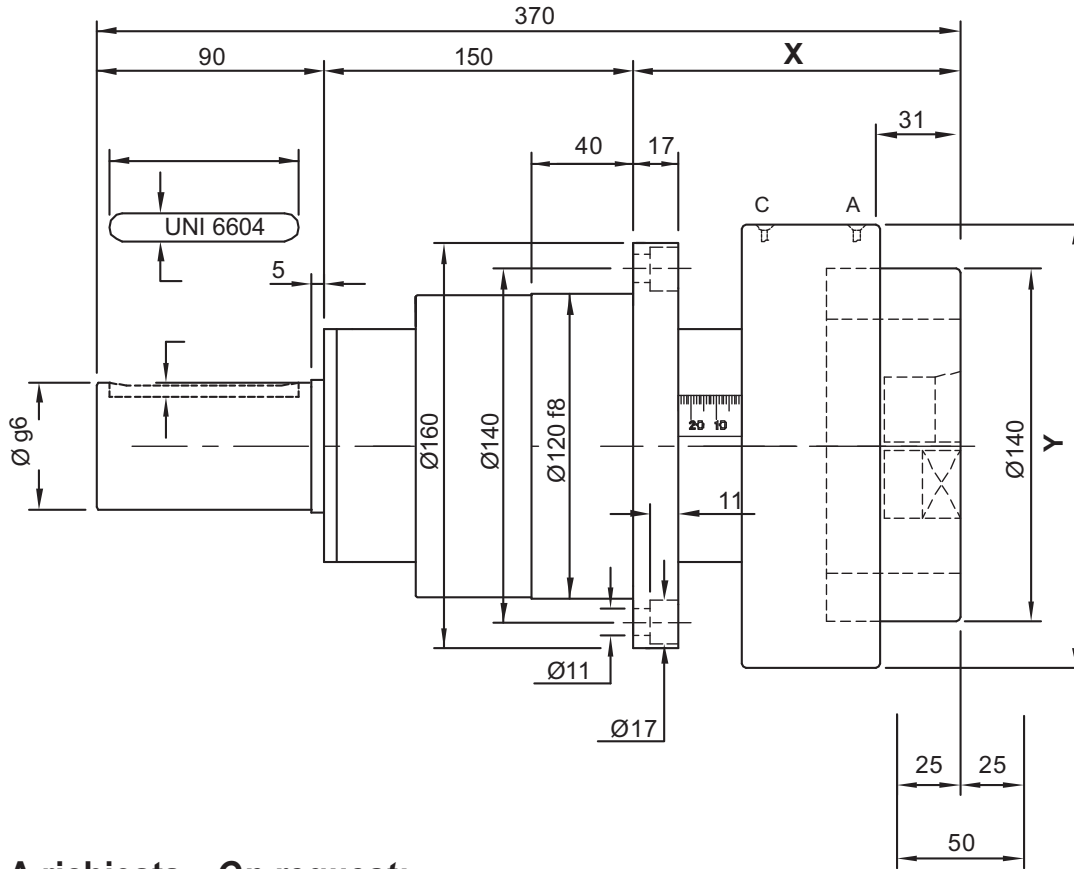
SVECOM P.E. SUPPORTO SAFETY CHUCK

Expanding devices

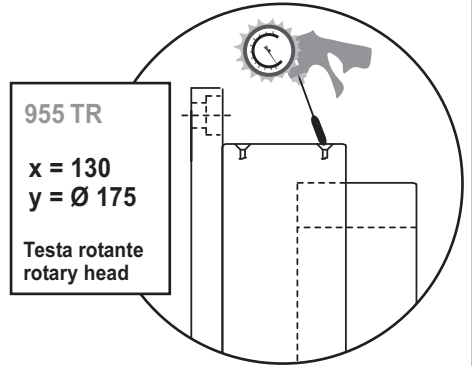
Testa rotante / rotary head

Testa fissa / stationary head

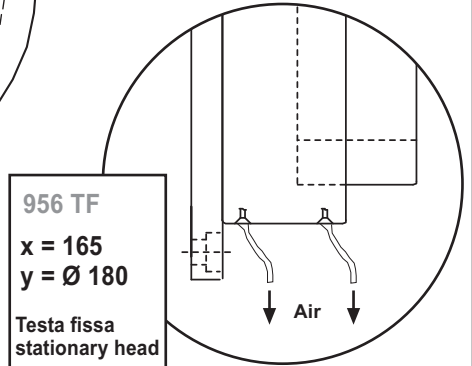
Tipo Type **955 PNLF1TR** | **956 PNLF1TF** con alberino with shaft extension



A = APERTURA SUPPORTO SAFETY CHUCK OPENING
C = CHIUSURA SUPPORTO SAFETY CHUCK CLOSING



Gonfiaggio manuale
Manual inflate



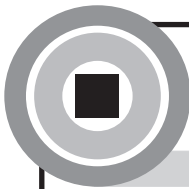
Gonfiaggio automatico
Automatic inflate

A richiesta - On request:

- Tipo Supporto Safety Chuck Type _____
- Quadro Square Socket _____
- \varnothing Alberino Shaft diameter _____

Protezione in acciaio standard - Steel finger guards are standard

Portata Max Coppia Supporti Capacity per Pair	Max Torsione Trasmissibile Max Torque Transmissible	Velocità Massima Max Speed	Quadri Standard Square Standard Socket	\varnothing Alberino Standard Standard Shaft Diameter
15600 N	1000 N/M	1200 RPM	$\varnothing 35 - \varnothing 50$	$\varnothing 25 - \varnothing 45$



SVECOM P.E. SUPPORTO SAFETY CHUCK

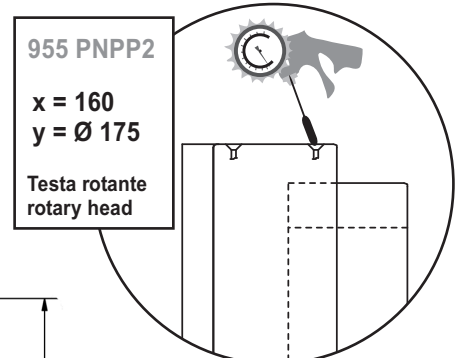
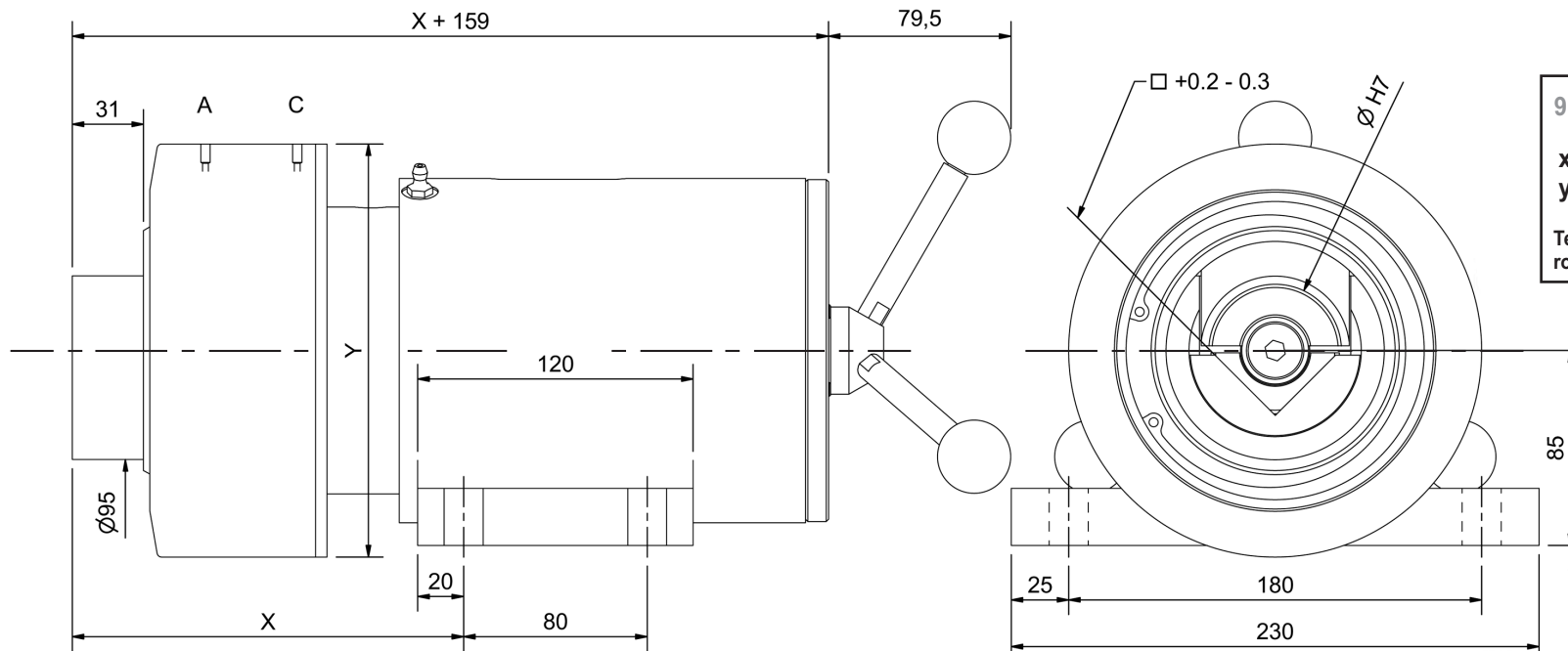
Expanding devices

Testa rotante / rotary head

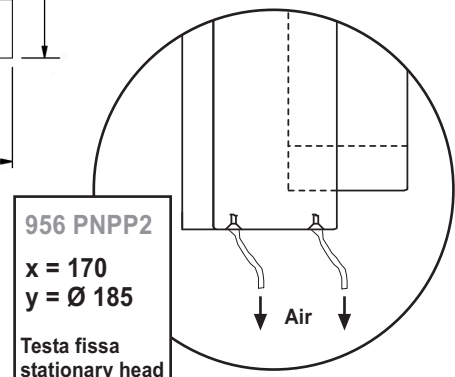
Testa fissa / stationary head

Tipo Type **955 PNPP2TR**

956 PNPP2TF con volantino with handwheel



Gonfiaggio manuale
Manual inflate



Gonfiaggio automatico
Automatic inflate

A = APERTURA SUPPORTO SAFETY CHUCK OPENING

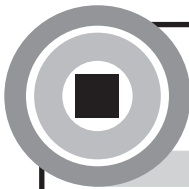
C = CHIUSURA SUPPORTO SAFETY CHUCK CLOSING

A richiesta - On request:

- Tipo Supporto Safety Chuck Type _____
- Quadro Square Socket _____
- Ø Alberino Shaft diameter _____

Protezione in plastica standard - Plastic finger guard is standard

Portata Max Coppia Supporti Capacity per Pair	Max Torsione Trasmissibile Max Torque Transmissible	Velocità Massima Max Speed	Quadri Standard Square Standard Socket
30000 N	1300 N/M	1500 RPM	♂ 40 - Ø 55



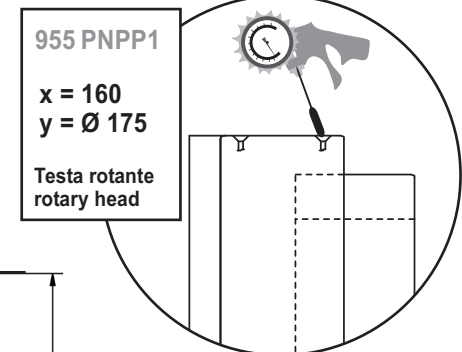
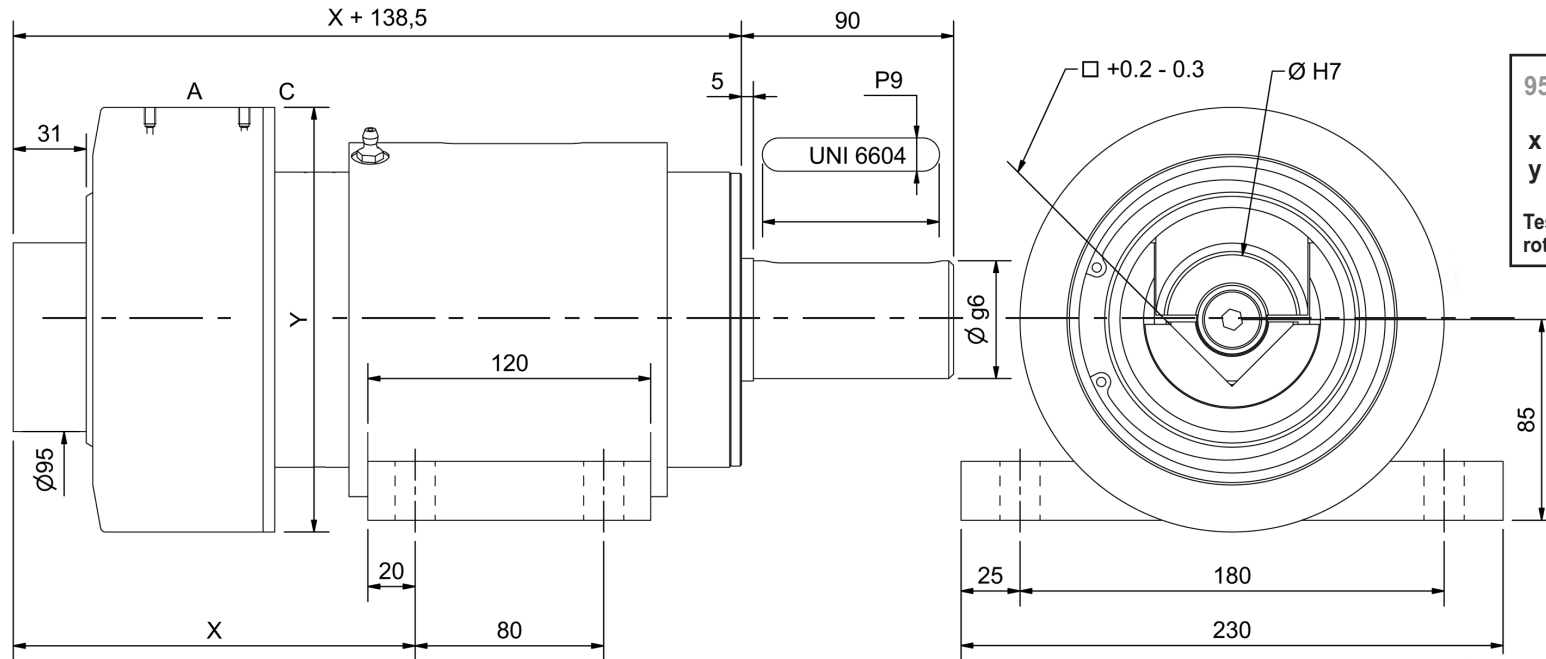
SVECOM P.E. SUPPORTO SAFETY CHUCK

Expanding devices

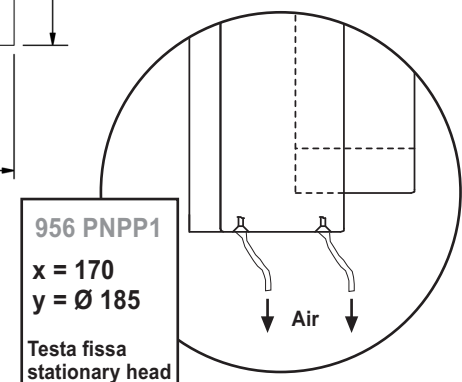
Testa rotante / rotary head

Testa fissa / stationary head

Tipo Type **955 PNPP1TR** **956 PNPP1TF** con alberino with shaft extension



955 PNPP1
x = 160
y = Ø 175
Testa rotante
rotary head
Gonfiaggio manuale
Manual inflate



956 PNPP1
x = 170
y = Ø 185
Testa fissa
stationary head
Gonfiaggio automatico
Automatic inflate

A = APERTURA SUPPORTO
SAFETY CHUCK OPENING

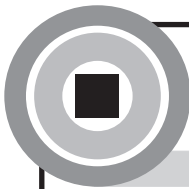
C = CHIUSURA SUPPORTO
SAFETY CHUCK CLOSING

A richiesta - On request:

- Tipo Supporto
Safety Chuck Type _____
- Quadro
Square Socket _____
- Ø Alberino
Shaft diameter _____

Protezione in plastica standard - Plastic finger guard is standard

Portata Max Coppia Supporti Capacity per Pair	Max Torsione Trasmissibile Max Torque Transmissible	Velocità Massima Max Speed	Quadri Standard Square Standard Socket	Ø Alberino Standard Standard Shaft Diameter
30000 N	1300 N/M	1500 RPM	♠ 40 - Ø 55	Ø 30 - Ø 50



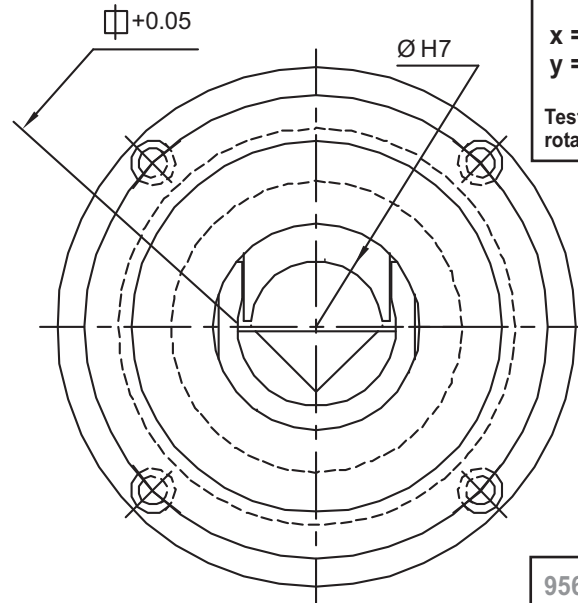
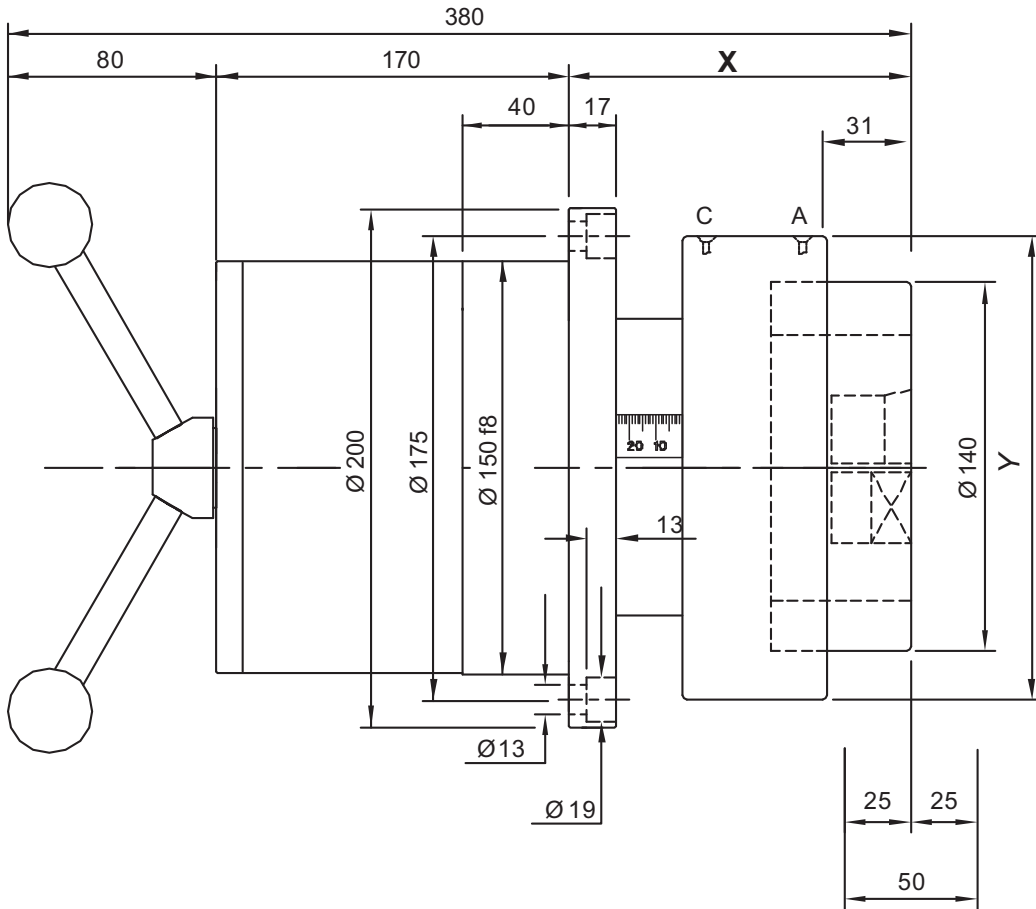
SVECOM P.E. SUPPORTO SAFETY CHUCK

Expanding devices

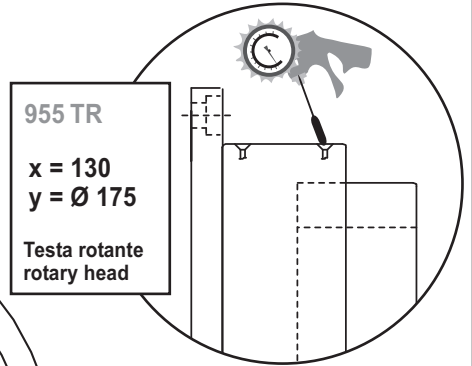
Testa rotante / rotary head

Testa fissa / stationary head

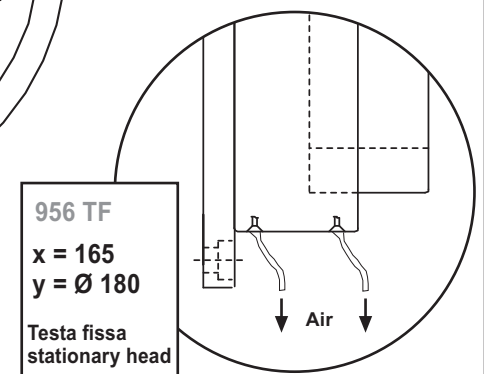
Tipo Type **955 PNPf2TR** **956 PNPf2TF** con alberino with shaft extension



A = APERTURA SUPPORTO SAFETY CHUCK OPENING
C = CHIUSURA SUPPORTO SAFETY CHUCK CLOSING



Gonfiaggio manuale
Manual inflate



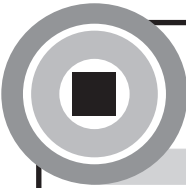
Gonfiaggio automatico
Automatic inflate

A richiesta - On request:

- Tipo Supporto Safety Chuck Type _____
- Quadro Square Socket _____
- Ø Alberino Shaft diameter _____

Protezione in acciaio standard - Steel finger guards are standard

Portata Max Coppia Supporti Capacity per Pair	Max Torsione Trasmissibile Max Torque Transmissible	Velocità Massima Max Speed	Quadri Standard Square Standard Socket
30000 N	1300 N/M	1500 RPM	Ø 40 - Ø 55



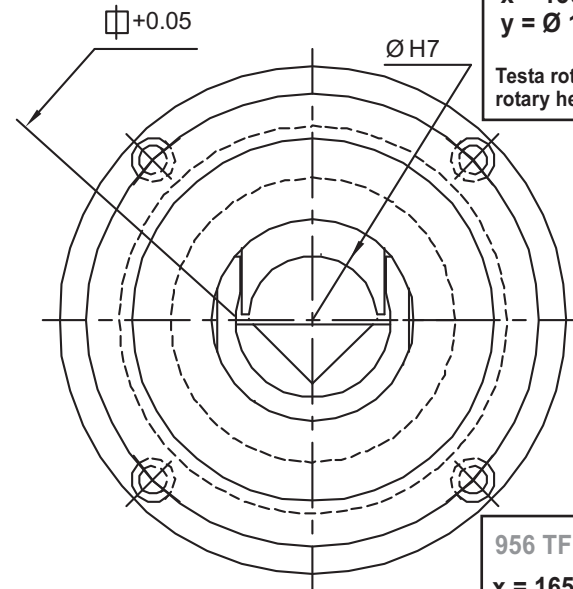
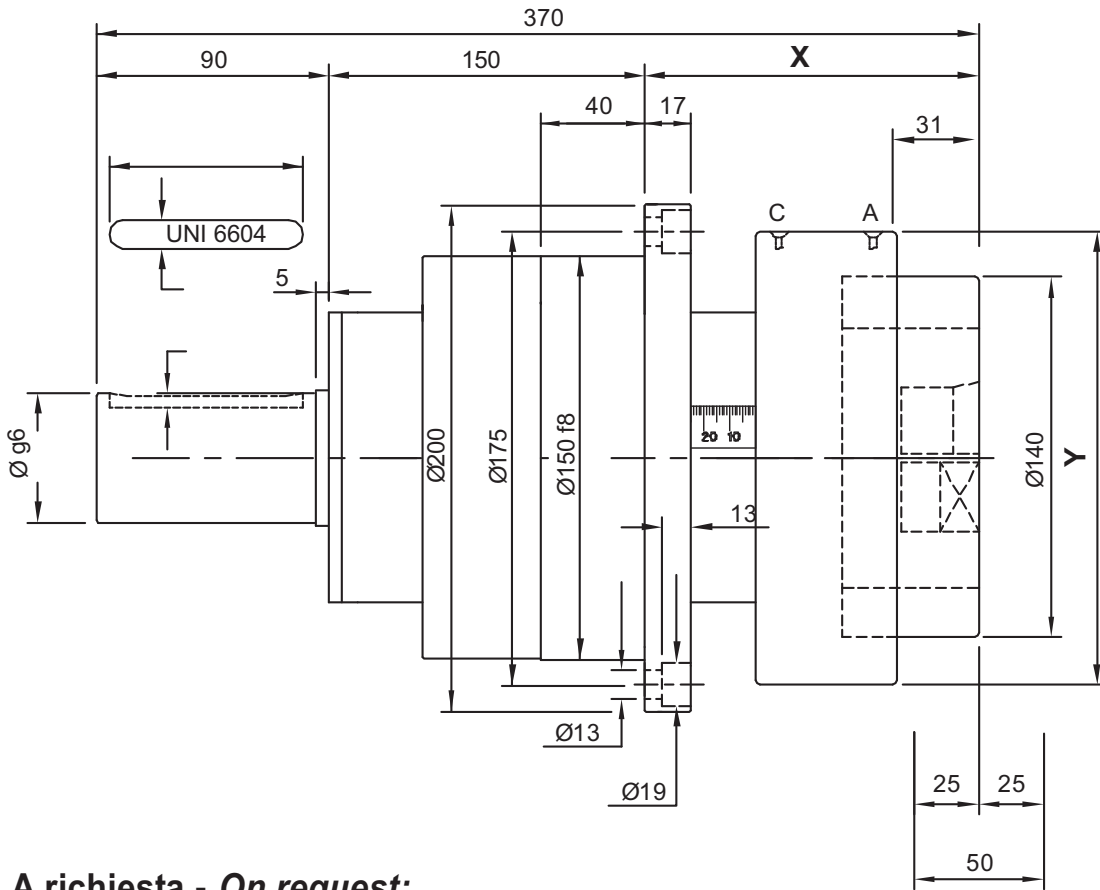
SVECOM P.E. SUPPORTO SAFETY CHUCK

Expanding devices

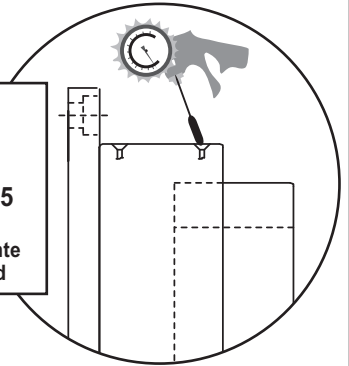
Testa rotante / rotary head

Testa fissa / stationary head

Tipo Type **955 PNPf1TR** | **956 PNPf1TF** con alberino with shaft extension

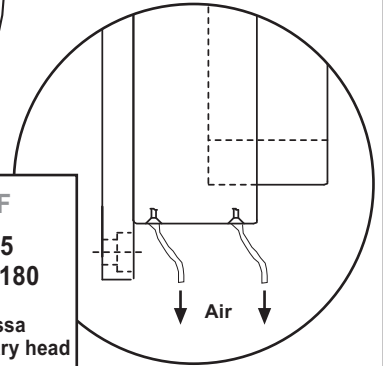


955 TR
 x = 130
 y = Ø 175
 Testa rotante
 rotary head



Gonfiaggio manuale
Manual inflate

956 TF
 x = 165
 y = Ø 180
 Testa fissa
 stationary head



Gonfiaggio automatico
Automatic inflate

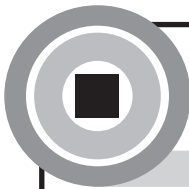
A = APERTURA SUPPORTO
SAFETY CHUCK OPENING
 C = CHIUSURA SUPPORTO
SAFETY CHUCK CLOSING

A richiesta - On request:

- Tipo Supporto
Safety Chuck Type _____
- Quadro
Square Socket _____
- Ø Alberino
Shaft diameter _____

Protezione in acciaio standard - Steel finger guards are standard

Portata Max Coppia Supporti Capacity per Pair	Max Torsione Trasmissibile Max Torque Transmissible	Velocità Massima Max Speed	Quadri Standard Square Standard Socket	Ø Alberino Standard Standard Shaft Diameter
30000 N	1300 N/M	1500 RPM	⌀ 40 - Ø 55	Ø 30 - Ø 50



SVECOM P.E. SUPPORTO SAFETY CHUCK

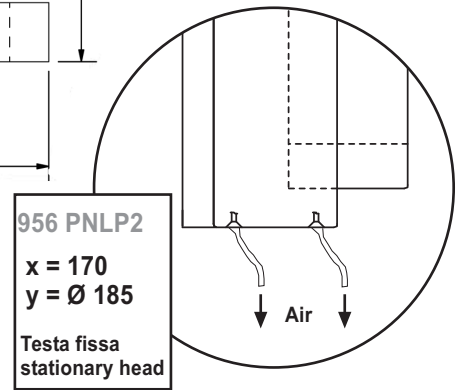
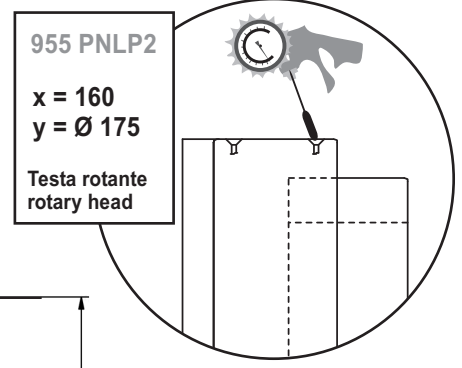
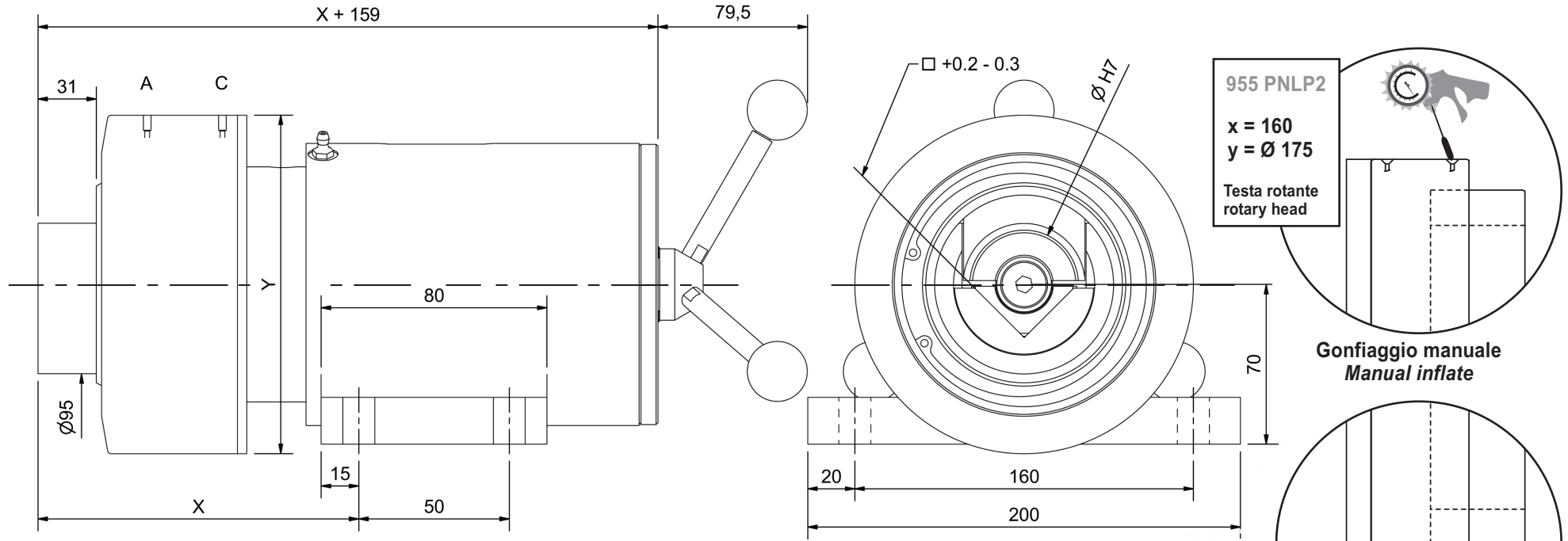
Expanding devices

Testa rotante / rotary head

Testa fissa / stationary head

Tipo Type **955 PNLP2TR**

956 PNLP2TF con volantino with handwheel



A = APERTURA SUPPORTO SAFETY CHUCK OPENING

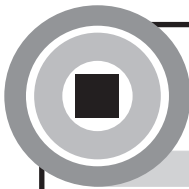
C = CHIUSURA SUPPORTO SAFETY CHUCK CLOSING

A richiesta - On request:

- Tipo Supporto Safety Chuck Type _____
- Quadro Square Socket _____
- Ø Alberino Shaft diameter _____

Protezione in plastica standard - Plastic finger guard is standard

Portata Max Coppia Supporti Capacity per Pair	Max Torsione Trasmissibile Max Torque Transmissible	Velocità Massima Max Speed	Quadri Standard Square Standard Socket
15600 N	1000 N/M	1200 RPM	□35 - Ø 50



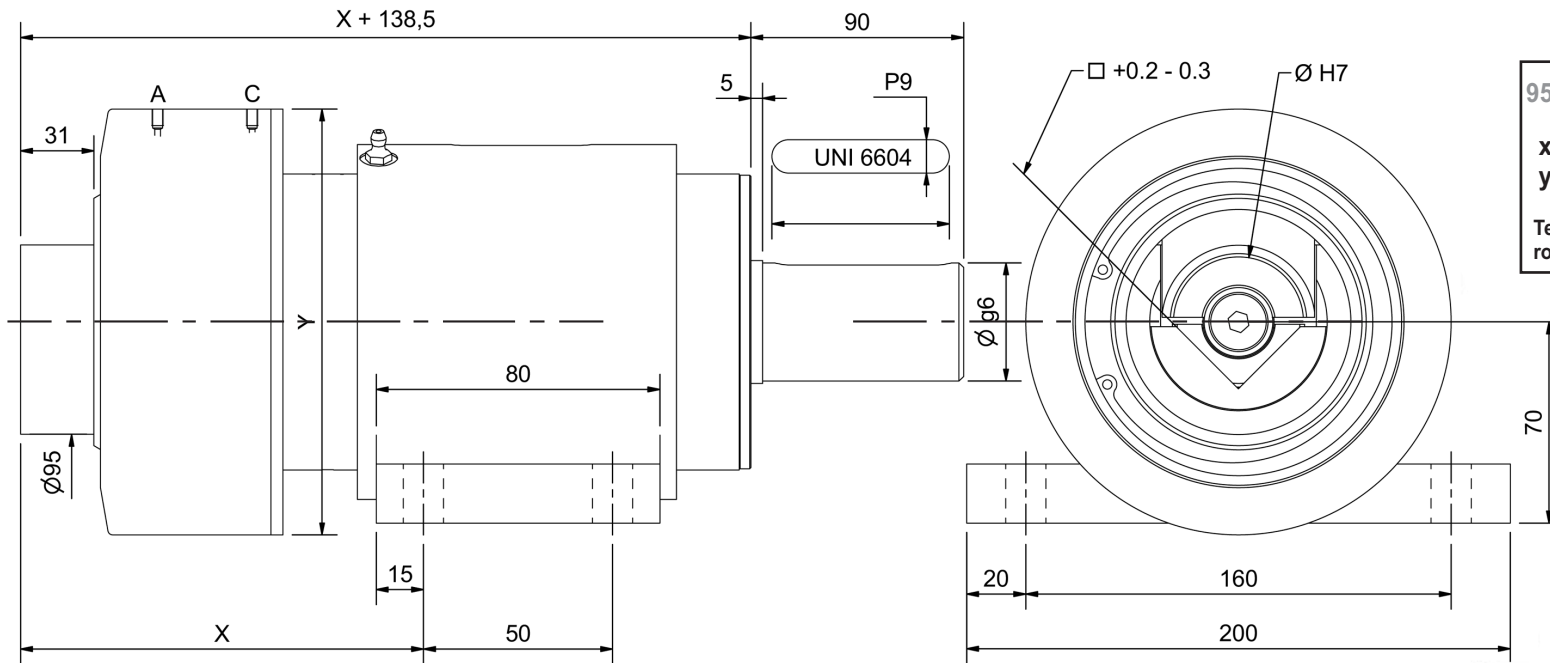
SVECOM P.E. SUPPORTO SAFETY CHUCK

Expanding devices

Testa rotante / rotary head

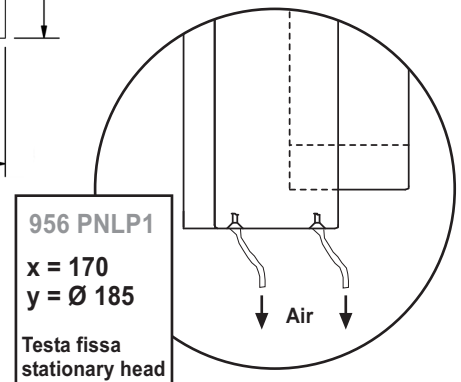
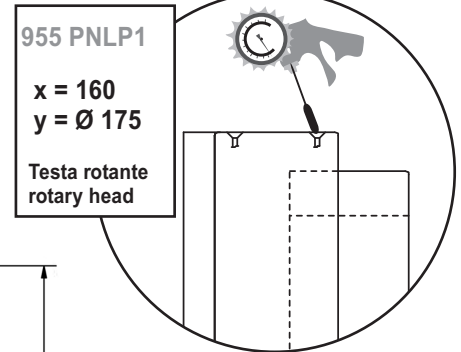
Testa fissa / stationary head

Tipo Type **955 PNLP1TR** **956 PNLP1TF** con alberino with shaft extension



A = APERTURA SUPPORTO
SAFETY CHUCK OPENING

C = CHIUSURA SUPPORTO
SAFETY CHUCK CLOSING

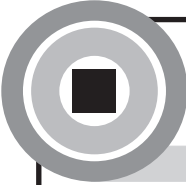


A richiesta - On request:

- Tipo Supporto
Safety Chuck Type _____
- Quadro
Square Socket _____
- Ø Alberino
Shaft diameter _____

Protezione in plastica standard - Plastic finger guard is standard

Portata Max Coppia Supporti Capacity per Pair	Max Torsione Trasmissibile Max Torque Transmissible	Velocità Massima Max Speed	Quadri Standard Square Standard Socket	Ø Alberino Standard Standard Shaft Diameter
15600 N	1000 N/M	1200 RPM	♁35 - Ø 50	Ø 30 - Ø 50



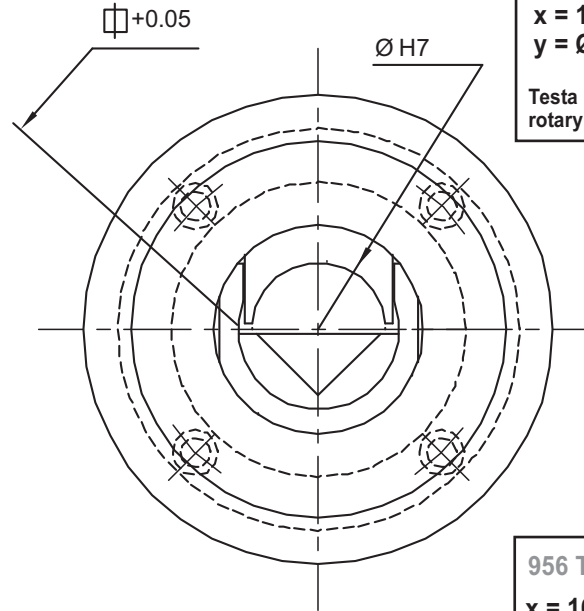
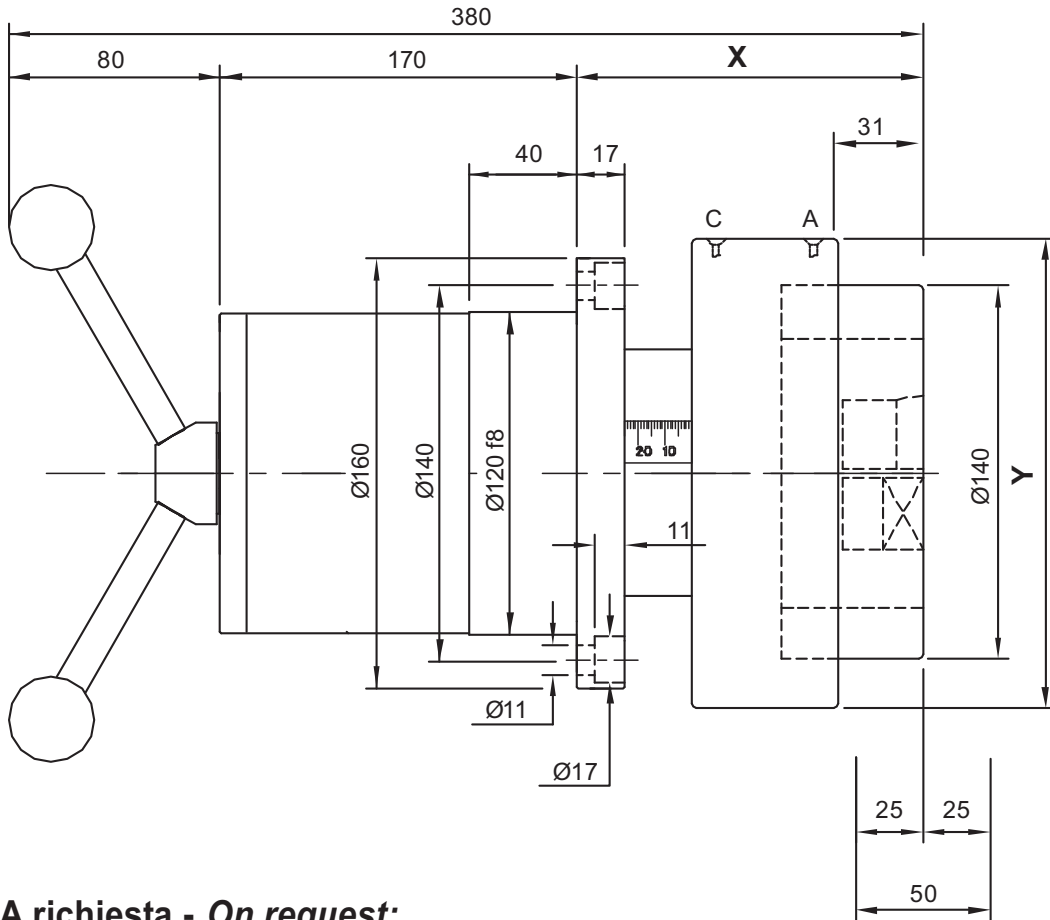
SVECOM P.E. SUPPORTO SAFETY CHUCK

Expanding devices

Testa rotante / rotary head

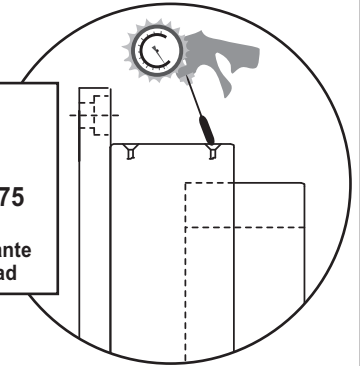
Testa fissa / stationary head

Tipo Type **955 PNLF2TR** **956 PNLF2TF** con alberino with shaft extension



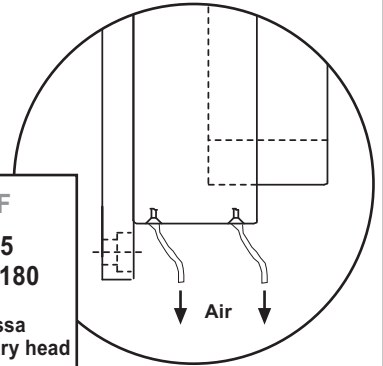
A = APERTURA SUPPORTO SAFETY CHUCK OPENING
C = CHIUSURA SUPPORTO SAFETY CHUCK CLOSING

955 TR
x = 130
y = Ø 175
Testa rotante rotary head



Gonfiaggio manuale Manual inflate

956 TF
x = 165
y = Ø 180
Testa fissa stationary head



Gonfiaggio automatico Automatic inflate

A richiesta - On request:

- Tipo Supporto Safety Chuck Type _____
- Quadro Square Socket _____
- Ø Alberino Shaft diameter _____

Protezione in acciaio standard - Steel finger guards are standard

Portata Max Coppia Supporti Capacity per Pair	Max Torsione Trasmissibile Max Torque Transmissible	Velocità Massima Max Speed	Quadri Standard Square Standard Socket
1560 N	1000 N/M	1200 RPM	Ø 35 - Ø 50