

UP-ENDER MACHINE

MOD. 700



easy to install



reduced maintenance



robustness and reliability



made in Svecom



certificate



The handling system mod. 700 is a modern solution for any reel turning requirement.

The up-ender platform allows a 90° reels overturning and is composed of two sides with a V saddle for centering.

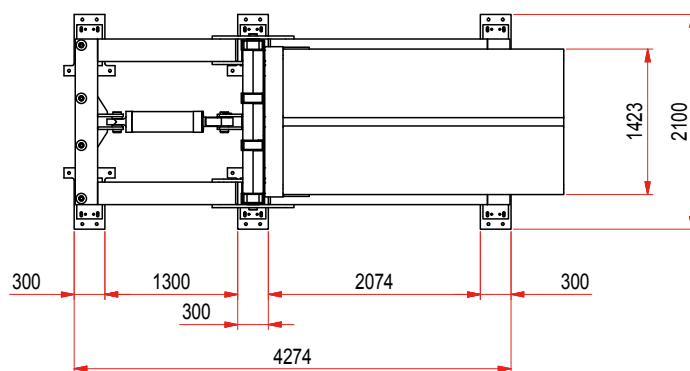
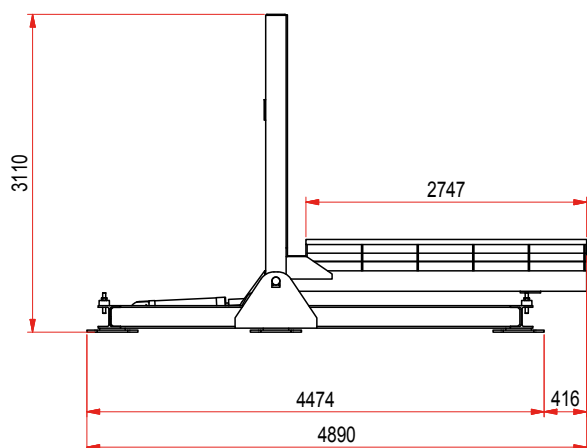
It offers longevity, strength and production quality, thus providing easy handling.

It also avoids bumps and sliding of the reel during the overturning process.

The movement is electro-hydraulic and is obtained by an hydraulic cylinder.

The movements are operated by means of a control panel positioned beside the machine.

The handling system is built in compliance with the strictest accident prevention regulations and maintains excellent efficiency even in the longest usage.



FEATURES MOD. 700

- 90° reel overturning
- electro-hydraulic movement
- expanding roller/reels insertion

DATA SHEET*	MOD. 700
MAX REEL WEIGHT	5000 Kg
MAX REEL DIAMETER	3000 mm

*The technical data are purely indicative. Contact Svecom - P.E. for customized requests